



English



Digital Photo Printer

Color Stream S3

CHC-S2245-5

Operation Manual

SINFONIA TECHNOLOGY CO., LTD.

<http://www.sinfo-t.jp>

Handling of this Manual

1. All rights reserved. No part of this operation manual covered by the copyright herein maybe reproduced or copied in any form or by any means, including translation, without the written permission of SINFONIA TECHNOLOGY Co., Ltd.
2. The specifications in this operation manual are subject to change without prior notice.
3. In case of having any difficulties or finding the fault in this manual, your information to SINFONIA TECHNOLOGY will be highly appreciated.

Introduction

This manual describes detailed instructions for handling of and basic operation of Digital Photo Printer CHC-S2245-5.

We will describe this product as “the printer” in the manual.

Read this manual thoroughly to understand how to install and operate the printer before using it.

Notice

- Keep this manual near the printer and operators can refer to this manual periodically.
- In case, lost or damaged this manual, contact your dealers.
- In the case of transfer, do not forget to put this manual together with the printer.

CONTENTS

PREFACE

Chapter 1. Important Safety Instruction	1-1
Environments	1-1
Handling Instruction	1-2
Handling Instruction for Consumable and Printed Output	1-3
Chapter 2. Installing and Set Up	2-1
Unpacking and Checking the Accessories	2-1
Parts Name and Function	2-2
Printer Status Lamps Name and Printer Status	2-3
Connecting Power Cable	2-4
Connecting USB Cable	2-4
Installing Paper Guide	2-4
Setting Ink Ribbon	2-5
Loading Paper	2-6
Installing Dust Box	2-7
Transporting the Printer	2-7
Chapter 3. Routine Maintenance	3-1
Cleaning of Thermal Head and each Roller	3-1
Cleaning of Outer Cover	3-2
Cleaning of Filter	3-2
Chapter 4. Error Handling	4-1
Printer Status Lamps are displayed in red	4-1
Failure Symptoms	4-1
Paper Jam	4-2
Power Supply Interrupted during Printing	4-2
When the Ribbon is snapped	4-2
Chapter 5. In order to more comfortably use	5-1
For longer Printer usage	5-1
For the customers in U.S.A.	5-2
For the customers in Canada	5-2
For the customers in Europe	5-2
Specification	6-1
After-sales Service	6-1

Chapter 1. Important Safety Instruction

This manual provides detailed instructions for the safety use of the printer. Read this manual before operating the printer to ensure to have proper use.

- ◆ In this manual, there are notes that require special attention.
- ◆ For your safety operation, Safety notices are separated as follows;



Warning: Inappropriate handling can cause the death or serious wound.



Caution: Inappropriate handling can cause the wound for the users and/or cause the physical damage.

Attention: Explanation about the cause of the trouble and the environmental condition.

- ◆ It is difficult to forecast all the danger in setting and use of the printer. Therefore, warnings in this Operation Manual, in the other documents on the printer cannot cover all the cases. In case of performing the operation or maintenance which are not described in this manual, all the concern for the safety have to be taken care of at the customer side.
- ◆ Operations and the notification for the maintenance described in this manual and other documents are for the proper use of the printer. In case of using the printer for the other purpose, all the concern for the safety has to be taken care of at the customer side.
- ◆ Do not perform the operation which are prohibited in this manual and other documents.
- ◆ The contents that cannot be printed due to a failure while using the use of this printer are not guaranteed.

Environments

To use the printer safety, please pay attention to the followings:



Caution: Do not let children to touch the printer or the cables. It can cause accidents or electric shock.



Caution: Do not place the printer under humid or dusty place. It can cause a fire, electric shock or printer problem. Do not place the printer with dust, sand and high humidity such as bathing place, bathroom, hot spring, on the street.



Caution: Do not place the printer on rickety place and/or inclined place. Printer may fall down or tumble and it can cause injury.



Warning: Do not insert or fall the metallic items or flammable items into the printer through the openings of the printer, it can cause the fire and electric shock.



Warning: Do not put any containers such as a vase with water or any metal objects on the top of the unit, and make any pressure from the top. If the pressure is made, the top surface may be bent and any damage or injury may happen. If something goes inside the printer, there is a danger/risk for fire or electric shock.



Warning: Do not block the openings of the printer. In case, the opening blocked, the heat will remain inside and it can cause the fire.



Warning: This equipment is not suitable for use in locations where children are likely to be present.

Attention: Do not place the printer under the low temperature such as ski resort, skating rink or open-air with direct sunlight.

Chapter 1. Important Safety Instruction

Handling Instruction

In handling the printer, please pay attention to the followings:



Warning: Lift the printer from its box and put it onto a flat table or desk.



Warning: At nearly 15Kg, the printer is too heavy to be lifted by one person.
Also please take a good care of your hands and fingers when lifting the printer from the box.



Warning: Be careful when you transport the printer on the slippery floor.



Warning: In case you drop the printer, firstly turn off the power of the printer and remove the power cable, then contact the dealers or service center. To use the printer without any checking, can cause the fire or electric shock.



Warning: Secure the power cable firmly.



Warning: This product must be grounded, and always used with only the specified power cable or the power cable accompanying this product.
If the product is used without ground, and current leakage occurs, fire or electrical shock is most likely to result, and also cause signal-receiving interference to a radio, a television receiver, and other similar electric appliances.
If the proper grounding connection is not possible, please contact to the dealers or service center.



Warning: Do not attempt to service the printer beyond the instruction specified in this document. In case, impossible to recover from the problem, please contact to the dealers or service center.



Warning: The thermal head reaches high temperature during operation but this is normal. Do not touch the thermal head.

Avertissement: La tête d'impression thermique devient chaud, mais ce n'est pas un dysfonctionnement lors de l'utilisation. Ne touchez pas la tête, sa température peut devenir très chaud.



Warning: Do not dismantle or remodel the printer. Some sections of the printer contain a high voltage or become very hot. Ignoring this warning may cause electric shock, fire, or burns.

Attention: Touching the surface of the thermal directly can cause the damage to thermal head. When a hard object get into the printer, it can cause the damage to the printer mechanism. In such case, please do not use the printer.

Attention: At installation, appropriate interface cable will be required with your computer.

Chapter 1. Important Safety Instruction

Handling Instruction for Consumable and Printed Output

In handling the ink ribbon, paper and printed output, please pay attention to the followings:

Attention: Paper Handling

- Use the paper specified by SINFONIA TECHNOLOGY.
- Store the paper flat.
- Store the paper in a dry and dark place to avoid the direct Sunlight.
(Temperature less than 30°C, Humidity less than 60%).
- Do not touch the paper surface before

Attention: Ink Ribbon Handling

- Use the ink ribbon specified by SINFONIA TECHNOLOGY.
- Store the ink ribbon in cool place to avoid the direct sunlight.
(Temperature less than 30°C, Humidity less than 60%)

Attention: Printed Output Handling

- Store the printed output in a dark place to avoid the direct sunlight.
- Store the printed output away from the organic fluid such as benzene, thinner and alcohol which may change or deteriorate the colors.



Caution: When abandon the ink ribbon, please handle it as harmful industrial waste.



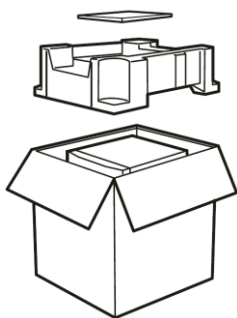
Caution: Be careful not to injure your hands with the paper edge when handling paper.

Chapter 2. Installing and Set Up

This chapter explains the unpacking and set up of the printer. Before proceeding to this chapter, please make sure to read Chapter 1. Important Safety Instruction.

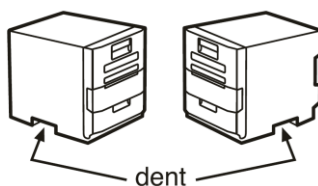
Unpacking and Checking the Accessories

1. Open the box and remove the box containing the accessories and protection materials.



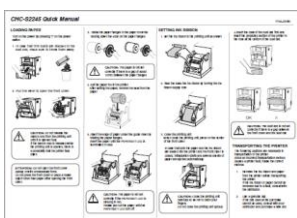
Attention: Keep the packaging materials. The box and protection materials are necessary when moving or transporting the printer. Make sure that they are retained.

2. Take out the printer by holding dent at lower of the printer.



Caution: This printer weighs about 15Kg. Please handle it carefully. When lifting the printer, always grip dent at lower on the left and right side of printer. Otherwise, the printer may be damaged.

3. Take out the accessories from the accessory box and check the contents.

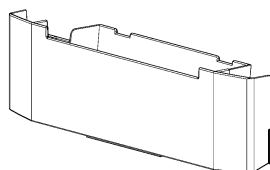


Quick Manual

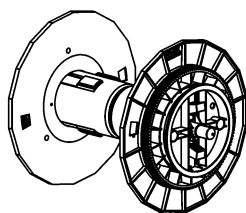


Power Cable

4. Take out the accessories from the printer and check the contents.



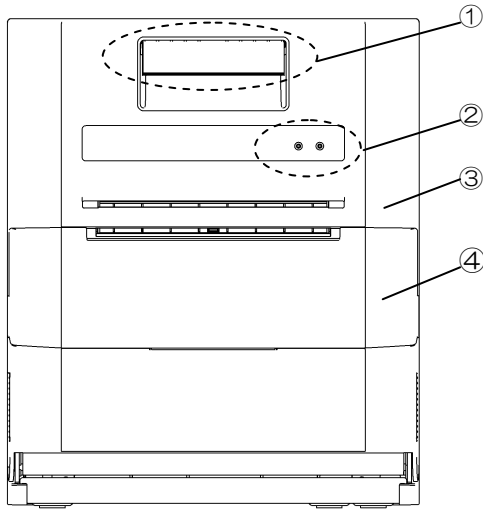
Dust Box



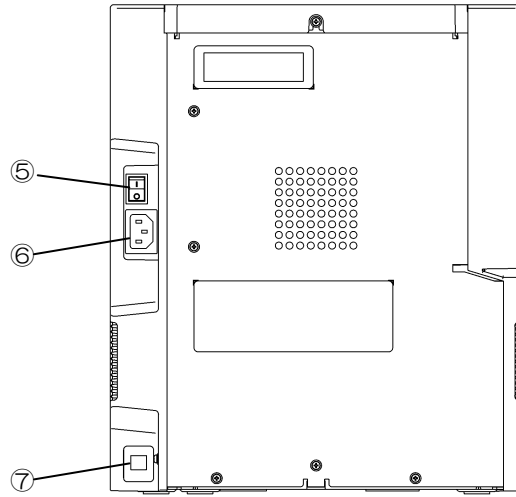
Paper Flange

Chapter 2. Installing and Set Up

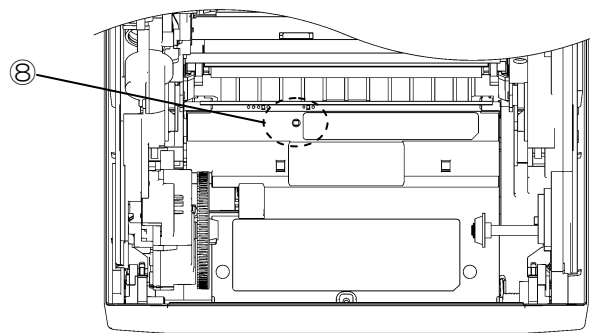
Parts Name and Function



(Front View)



(Rear View)

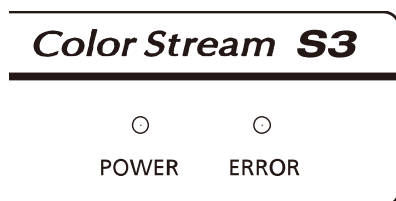


(Internal View)

No.	Name	Function
①	Open Lever	When open the Front Cover, hold this lever.
②	Printer Status Lamps	Printer status display lamps are located on the panel.
③	Front Cover	Open the Front Cover when replacing an ink ribbon or paper, or when performing maintenance.
④	Dust Box	The Dust Box stacks trim dusts.
⑤	Power Switch	This switch turns on/off the power of the printer. When the “ ” marked side of the switch is pressed, the power is turned on. When the “o” marked side of the switch is pressed, the power is turned off. <Caution> Once the printer is turned off, wait at least 3 seconds before turning it on again.
⑥	Power Connector	To be used to connect the power cable.
⑦	USB Connector	To be used to connect the USB cable.
⑧	Paper Setting Lamp	When setting the paper, insert the paper until the lamp is lit. When the lamp blinks, remove the paper until the lamp goes off.

Chapter 2. Installing and Set Up

Printer Status Lamps Name and Printer Status



●: ON ○: OFF *: Blink (Slow) x: Blink (Flashing)

Group	LED Display			Status
	POWER	ERROR	Paper Set	
—	○	○	○	The power of printer is off.
1	*	○	N/A	The printer is initializing after turn on the power, or the thermal print head is cooling / heating during printing.
	●	○	N/A	The printer is ready.
2	●	*	○	The paper is empty, or the paper is not loaded.
			● Yellow	The ink ribbon is empty, or the ink ribbon is not installed.
			● Purple	The ink ribbon loaded is not supported.
	●	x	x Yellow	The printer could not take up the ink ribbon.
			x Red	Paper jam is occurred.
	*	*	N/A	The front cover is open.
			● Blue	The paper has been installed.
*	*	N/A	The front cover is not closed correctly.	
		(Concurrently)		
3	●	●	N/A	Trouble of printer control board.
	*	●	N/A	The printer mechanical section is faulty.
	*	●	N/A	The front cover is not closed correctly.
	(Alternately)			

Group1

The printer is initializing, ready or printing.

Group2

The paper or the ink ribbon is empty.
Paper jam occurred.
The front cover is opened.

Group3

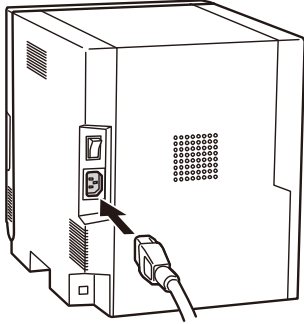
Trouble of printer.
If it occurs frequently, consult with the service center.

Attention : When checking the PAPERSET LED, please remove the ribbon. Depending on the ribbon, it may look different from LED

Chapter 2. Installing and Set Up

Connecting Power Cable

Insert the power cable attached to the printer into the power connector located on the rear of the printer.



Warning: Make sure to turn off the power of the printer before inserting the power cable.



Warning: Make sure to insert the power cable correctly. If not, it can cause the fire or the printer problem.



Warning: Do not insert or remove the power cable with wet hands. It can cause the electric leakage.



Warning: Do not make any damage or any modification to the power cable. Put the heavy items on the power cable, give a strong pull to the power cable and twist the power cable can cause the fire and electric shock.



Warning: When moving the printer, make sure to turn off the power of the printer, remove the power cable in order to have no connection with other devices. Otherwise, the power cable might be damaged and it can cause the fire and electric shock. Also there is a possibility to fall down caught by the cable.



Warning: In case of not using the printer for a long time, remove the power cable for safety.

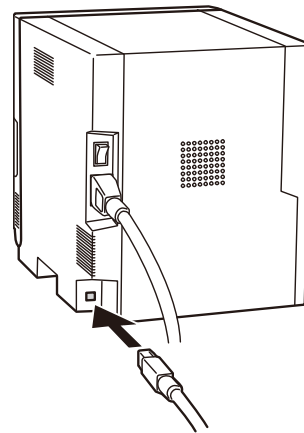


Warning: Avoid "piled up" connection. It can cause the fire and electric shock.

Connecting USB Cable

Connect the USB cable from the personal computer to the USB connector located on the left rear side of the printer.

Be sure to insert the USB cable all the way.



Attention: To remove the USB cable, make sure that the printer is in the waiting status.

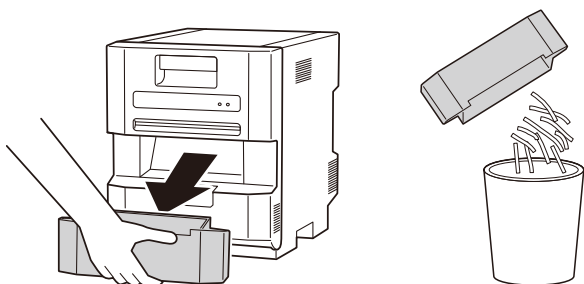
Removing the USB cable during data transfer may not be able to print data correctly.

Chapter 2. Installing and Set Up

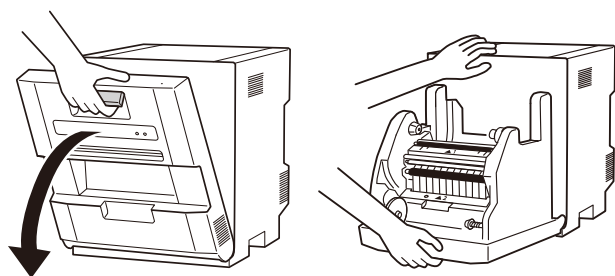
Loading Paper

Turn on the power of the printer by pressing "I" on the power switch.

1. In case that trim dusts are stacked in the dust box, make sure to throw them away.



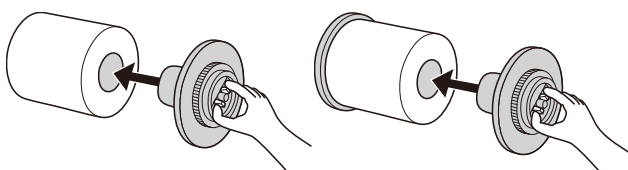
2. Pull the lever to open the Front Cover.



CAUTION: Do not release the hand's hold from the Front Cover until the Front Cover is opened fully. If the hand's hold is released while the Front Cover is opened, there is a possibility that the printer falls down.

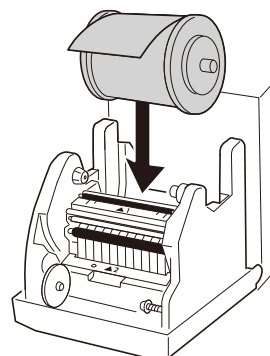
Attention: Do not open the Front Cover quickly or with unnecessary force. Do not press the Front Cover or place a heavy object other than paper after opening the Front Cover.

3. Install the paper flange in the paper roll while holding down the knob on the paper flange.

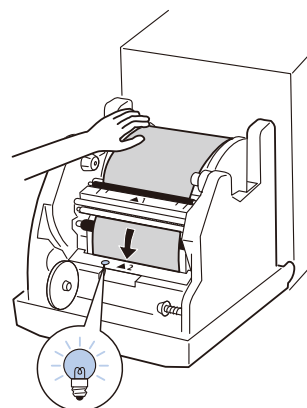
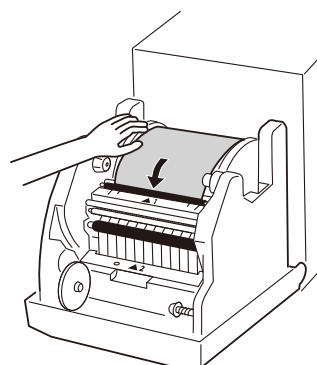


Caution: The paper is not set correctly if there is a gap of about 10mm between the paper flange and paper.

4. Set the paper in the printer. After setting the paper, remove the seal from the paper.



5. Insert the edge of paper under the guide roller by rotating the paper flanges. Insert the paper until the PAPERSET Lamp is lit in blue.

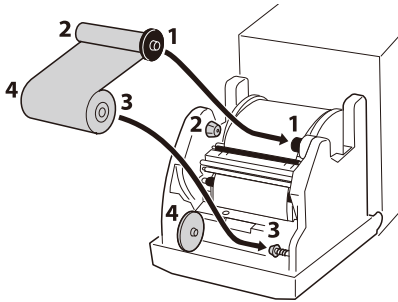


Caution: The paper is not set correctly if the PAPERSET Lamp is flashing in red. Please pull out the paper until the PAPERSET Ramp turn off.

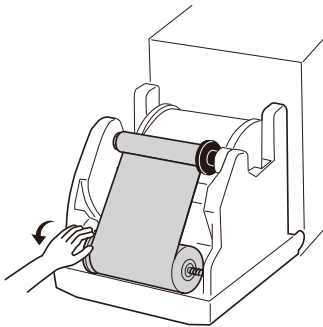
Chapter 2. Installing and Set Up

Setting Ink Ribbon

1. Set the ink ribbon to the Front Cover as shown



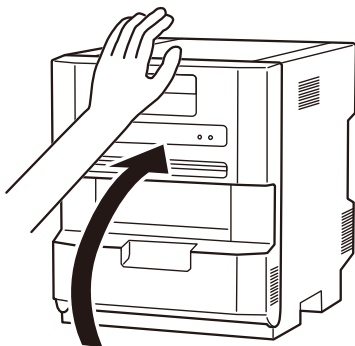
2. Take the slack the ink ribbon by turning the ink ribbon supply core.



3. Close the Front Cover.

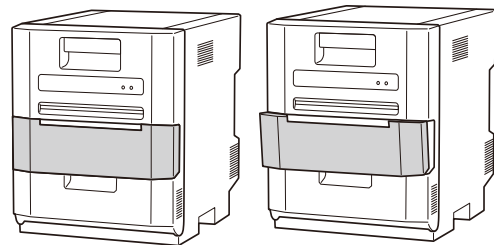
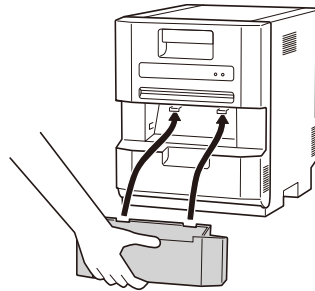
When close the Front Cover, press on the center.

In case that both the paper and the ink ribbon are loaded into the printer and the Front Cover is closed, initialization starts and several sheets of paper are ejected automatically.



Caution: Close the Front Cover carefully so as not to catch your fingers.
Do not close the Front Cover quickly.

4. Insert the claw of the dust box first and insert the projected section of the printer in the hole at the bottom of the dust box.



OK

X



Caution: The dust box is not set correctly if there is a gap between the front cover and the dust box.

Transporting the Printer

The following cautions are necessary in transportation of the printer. Since an incorrect transportation method causes a printer fault, follow the correct method.

1. Remove the ink ribbon and paper from the printer before transporting the printer.
If the ink ribbon or paper cannot be removed due to a fault, consult with the distributor.
2. Use a genuine box.
If the box used at the purchase cannot be used, consult with your distributor and purchase a new box.

Chapter 3. Routine Maintenance

Cleaning of Thermal Head and each Roller

By using thermal transfer technology, daily maintenance is not really necessary if the printer is being use properly.

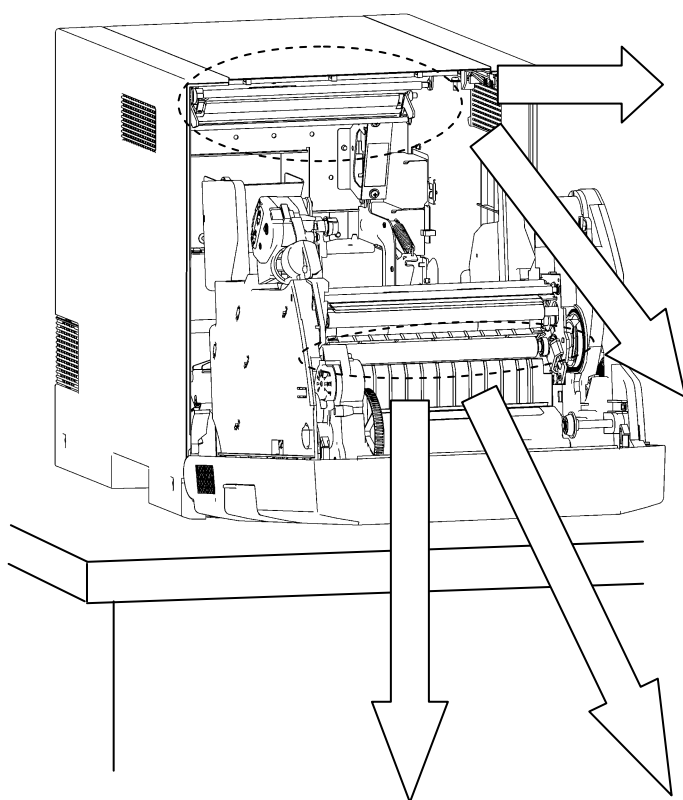
However, in order to keep the best print quality, it is recommended to do the cleaning of Thermal Head, Peeling Roller, Platen, Main Pinch Roller and Cleaning Roller once in a month.



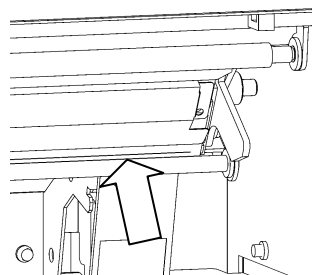
Caution: Make sure that the power is turned off before starting cleaning. Thermal Head reaches high temperature just after printing. Do not touch directly by hand. Make sure that the thermal head has been sufficiently cooled down before starting cleaning.

When fingerprint stick to the heat element, it can damage the Thermal Head. Do not touch directly by hand.

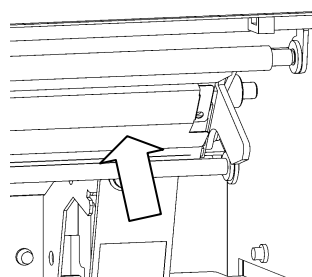
Be careful not to be hurt by the projections of the printer.



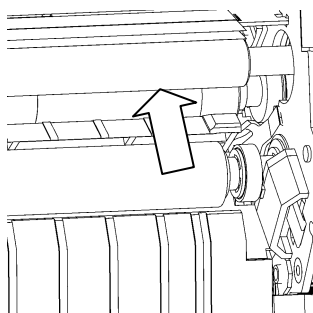
Using gauze, clean the heat element (glass bar) of the thermal head with isopropyl alcohol or ethyl alcohol.



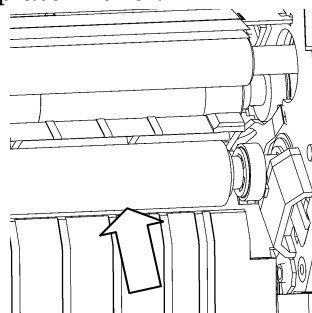
Using gauze dipped with isopropyl alcohol or ethyl alcohol, clean the peeling roller.



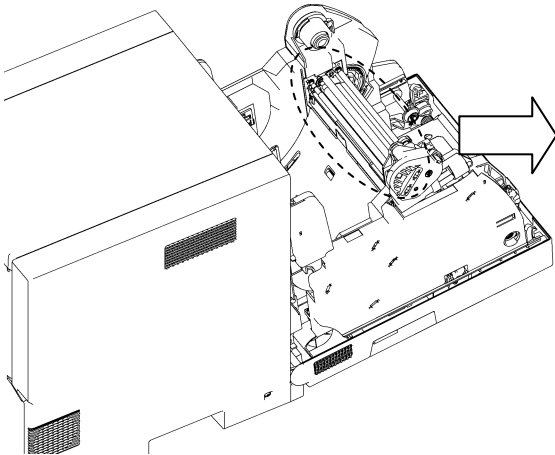
Using gauze dipped with isopropyl alcohol or ethyl alcohol, clean the main pinch roller.



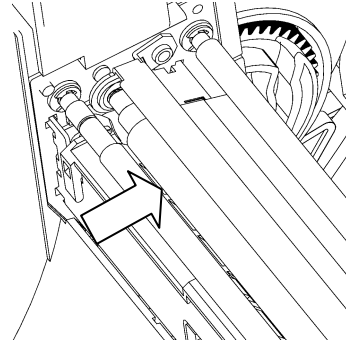
Using gauze dipped with isopropyl alcohol or ethyl alcohol, clean the rubber section of the platen roller.



Chapter 3. Routine Maintenance



Using gauze dipped with isopropyl alcohol or ethyl alcohol, clean the rubber section of the Cleaning roller.



Attention: Printing should be performed after the alcohol dried up completely (approx. 5 minutes)

Cleaning of Outer Cover

Wipe the printer outer cabinet with a soft cloth.

If the stains are not removed, wet the cloth and apply weakened neutral Detergent to it.



Warning: In case, the foreign substance get into the printer, turn off the power of printer, remove the power cable and contact the dealers or service center. Continuous use of the printer under such condition can cause the fire and electric shock.

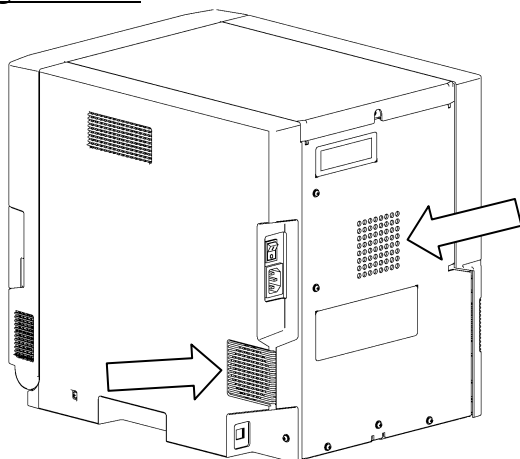


Warning: Continuous use under the abnormal condition such as high temperature, smoke and strange smell can cause the fire and electric shock. Turn off the power and make sure to remove the power cable, then contact the dealers or service center.



Caution: Do not use volatile solvents or spray insecticide on the printer outer cabinet. Otherwise, discoloration or crack may result.

Cleaning of Filter



If the dust collects on the openings, clean it with vacuum cleaner

Chapter 4. Error Handling

Printer Status lamps are displayed in red

When the error happens, the details of the error can be confirmed with the printer status lamps.

●: ON ○: OFF *: Blink (Slow) x: Blink (Flashing)

Group	LED Display		Paper Set	Status	Corrective Action	
	POWER	ERROR				
2	●	*	○	The paper is empty, or the paper is not loaded.	Set paper. Replace paper.	
			●	Yellow	The ink ribbon is empty, or the ink ribbon is not installed.	Set the ink ribbon. Replace the ink ribbon.
			●	Purple	The ink ribbon loaded is not supported.	Ink ribbon or printer abnormality is assumed. Consult with the Service Department.
	●	x	x	Yellow	The printer could not take up the ink ribbon.	Confirm to the ink ribbon. If it occurs frequently, consult with the service center.
			x	Red	Paper jam is occurred.	Remove the paper. If it occurs frequently, consult with the service center.
	*	*	N/A		The front cover is open.	Close the Front Cover.
●			Blue		The paper has been installed.	Set the ink ribbon. Close the Front Cover.
	*	*	N/A		The front cover is not closed correctly.	Close the Front Cover again.
3	●	●	N/A	Trouble of printer control board.	If it occurs frequently, consult with the service center.	
	*	●	N/A	The printer mechanical section is faulty.		

Failure Symptoms

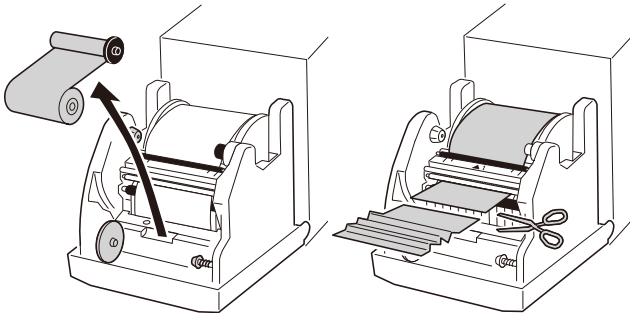
When detecting a failure symptom, check the printer using the following table.

Symptom	Action
Power is not turned on.	<ul style="list-style-type: none"> Check if the power cable is connected to the plug socket or the printer.
The personal computer does not recognize the printer.	<ul style="list-style-type: none"> Check if the USB cable is connected to the personal computer or printer.
The printer does not become ready.	<ul style="list-style-type: none"> Check if the drawer unit is closed. Check if paper is jammed in the printer. When the paper setting lamp is blinking, remove the edge of the paper until the paper setting lamp goes off.
The Front Cover does not open.	<ul style="list-style-type: none"> Check if the printer is installed in a flat location. Check if any object is placed in front of the Front Cover.
A straight stripe area is not printed.	<ul style="list-style-type: none"> The thermal head may be dirty. Clean the thermal head as described in Chapter 3, "Routine Maintenance". If the blank area remains after cleaning the thermal head, the head may have been disconnected. Consult with the Service Department.
Dotted areas are not printed.	<ul style="list-style-type: none"> The cleaning roller may be dirty. Clean the cleaning roller as described in Chapter 3, "Routine Maintenance".
Periodic scratches and indentations are occurred.	<ul style="list-style-type: none"> The main pinch roller may be dirty. Clean the main pinch roller as described in Chapter 3, "Routine Maintenance".

Chapter 4. Error Handling

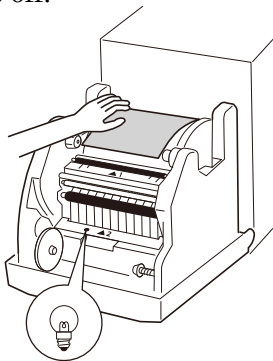
Paper Jam

1. Open the Front Cover.
2. Cut off the folded section or printed section with scissors.
When the paper is folded inside of the printer, pull it out slowly.



Attention: If the paper is can not pulled out to the Ribbon side, pull out it to the Roll paper side following the instruction in Step 3 and Step 4.
If the paper is pulled out to the Ribbon side by force, the printer may break down.

3. Pull out the paper until the paper setting lamp goes off.



Attention:

- If the paper is used without cutting off the folded section or printed section, paper jam occurs again or the ink ribbon may snap during printing. Always cut off the creased section or printed section of the paper.
- Cut off the paper straight and at right angles to the roll paper direction.
- If paper jam occurs frequently, a defect in the mechanical section is assumed. Consult with the service center.

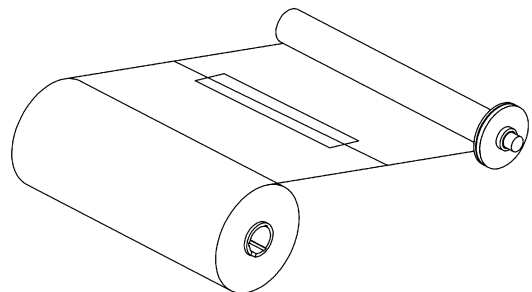
Power Supply Interrupted during Printing

In case, power supply interrupted during the printing, Thermal Head will be kept pushing to Platen. Leaving this situation for a long time, shape of Platen can be warped. In order to avoid this situation, please follow the instruction below.

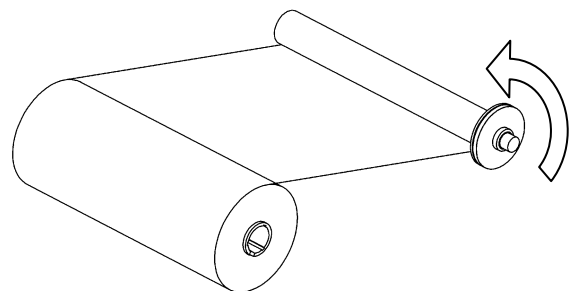
1. Turn off the power of the printer.
2. Turn on the power for 3 or more seconds after turning off the power.
3. Paper Jam is displayed on the printer status lamps, open the Front Cover and take the necessary action according to the instruction provided in 4-2, "Paper Jam".

When the Ribbon is snapped

1. Remove the ink ribbon.
2. Stick the broken part of the ribbon with a tape.



3. Turn the ribbon on the rewinding side and rewind the taped section completely.



Chapter 5. In order to more comfortably use

For longer Printer usage



Caution: Printing continuous pattern of high density image in limited part may cause uneven density print. Recommend not to print those images continuously.

Chapter 5. In order to more comfortably use

For the Customers in the U.S.A.

FCC CAUTION

Changes or modifications not expressly approved by the party responsible for compliance could void the user's authority to operate the equipment.

Note: This equipment has been tested and found to comply with the limits for a Class A digital device, pursuant to part 15 of the FCC Rules. These limits are designed to provide reasonable protection against harmful interference when the equipment is operated in a commercial environment. This equipment generates, uses, and can radiate radio frequency energy and, if not installed and used in accordance with the instruction manual, may cause harmful interference to radio communications. Operation of this equipment in a residential area is likely to cause harmful interference in which case the user will be required to correct the interference at his own expense.

For the Customers in Canada

This device complies with Industry Canada's applicable licence-exempt RSSs. Operation is subject to the following two conditions:

- (1) This device may not cause interference; and
- (2) This device must accept any interference, including interference that may cause undesired operation of the device.

Le présent appareil est conforme aux CNR d'Industrie Canada applicables aux appareils radio exempts de licence.

L'exploitation est autorisée aux deux conditions suivantes :

- 1) l'appareil ne doit pas produire de brouillage;
- 2) l'utilisateur de l'appareil doit accepter tout brouillage radioélectrique subi, même si le brouillage est susceptible

Chapter 5. In order to more comfortably use

For the Customers in Europe

This product shall not be used in the residential area.

This is a Class A product. In a domestic environment, this product may cause radio interference in which case the user may be required to take adequate measures.

Hereby, SINFONIA TECHNOLOGY CO., LTD. declares that the radio equipment type CHC-S2245-5(RFID 13.56MHz) is in compliance with Directive 2014/53/EU.

The full text of the EU declaration of conformity is available at the following internet address:
<http://www.sinfo-t.jp/eng/printers/red>

Le soussigné, SINFONIA TECHNOLOGY CO., LTD., déclare que l'équipement radioélectrique du type CHC-S2245-5(RFID 13.56MHz) est conforme à la directive 2014/53/UE.

Le texte complet de la déclaration UE de conformité est disponible à l'adresse internet suivante:
<http://www.sinfo-t.jp/eng/printers/red>

Hiermit erklärt SINFONIA TECHNOLOGY CO., LTD., dass der Funkanlagentyp CHC-S2245-5(RFID 13.56MHz) der Richtlinie 2014/53/EU entspricht.

Der vollständige Text der EU-Konformitätserklärung ist unter der folgenden Internetadresse verfügbar:
<http://www.sinfo-t.jp/eng/printers/red>

The manufacturer of this product is Sinfonia Technology Co., Ltd.
1-1-30, Shiba-daimoncho, Minato-ku, Tokyo, Japan.

If you want to dispose this product, do not mix with general household waste. There is a separate collection system for used electronics products in accordance with legislation under the WEEE Directive (Directive 2002/96/EC) and is effective only within European Union.
For details, consult your dealer.



Specification

Product name		Color Stream S3	
Model name		CHC-S2245-5	
Printing method		Dye sublimation thermal transfer	
Resolution		12 dots/mm (300 dpi)	
Print sizes		51 mm x 152 mm (2 x 6 size) 102 mm x 152 mm (4 x 6 size) 152 mm x 203 mm (6 x 8 size)	
Print media		Paper 152 mm (6 in.) width roll paper for print 900 sheets/roll (in case of 4 x 6 size prints) 450 sheets/roll (in case of 6 x 8 size prints) (Same as each printable size of dye-sub print.)	
		Ink ribbon	4 x 6 size ink ribbon 900 images/roll
			6 x 8 size ink ribbon 450 images/roll
Operating environment	Temperature	10 to 35 degrees C	
	Humidity	20% to 80% (RH) (There must be no condensation in both cases)	
Paper feeding		Roll paper feed (Roll to Cut method)	
Dimensions, with casters		Width,	290 mm
		Depth	375 mm
		Height	345 mm
Weight		15 kg or less (Excluding consumables and accessories)	
Power voltage		100 to 240 V AC (Automatic switching)	
Power consumption		Less than 165 W / 1.8 A at 100 V AC Less than 165 W / 0.8 A at 220 V AC	
Interface		USB 2.0	

The above specifications are subject to change without notice.

After-sales Service

Contact your dealers or service center for the details about after-sales service.

The manufacturer of this product is
SINFONIA TECHNOLOGY CO., LTD.
1-1-30, Shiba-daimoncho, Minato-ku, Tokyo, Japan.

YTE8-J0695E
Prepared date : December 21, 2017
Revision date : -
Revision Number : First edition

SINFONIA TECHNOLOGY © 2017 SINFONIA TECHNOLOGY CO., LTD.