

Card size Digital Photo Printer

# Color Stream CS2-c



## Best for Amusement & Advertisement Photo printing!

### Unique application of Compact Photo Printer

#### Superior Image Quality

The print quality is excellent without smear by utilizing an unique thermal control technology. High quality matte finish is also available.

#### More Ecological

Maximum AMP draw is 3.1A.  
Low waste, and jam free.

#### Unique application

The card size print is useful for the various fields such as Theme park, Business card, ID photo etc.

#### Light weight and most compact

World lightest weight less than 10kg and most compact size design are achieved.

Card size print becomes popular in various fields.



Business card



Theme park photo



ID photo



Security pass



Advertisement



Trading card



Ticket



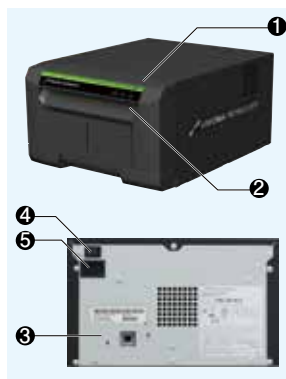
SINFONIA TECHNOLOGY CO., LTD.  
Formerly SHINKO ELECTRIC CO., LTD.

Card size Digital Photo Printer

# Color Stream CS2-c

The compact design enables to carry it anywhere and use it anyway.

Weight  
**10kg**



- ① LCD
- ② Paper ejection slot
- ③ USB connector
- ④ Power switch
- ⑤ AC inlet

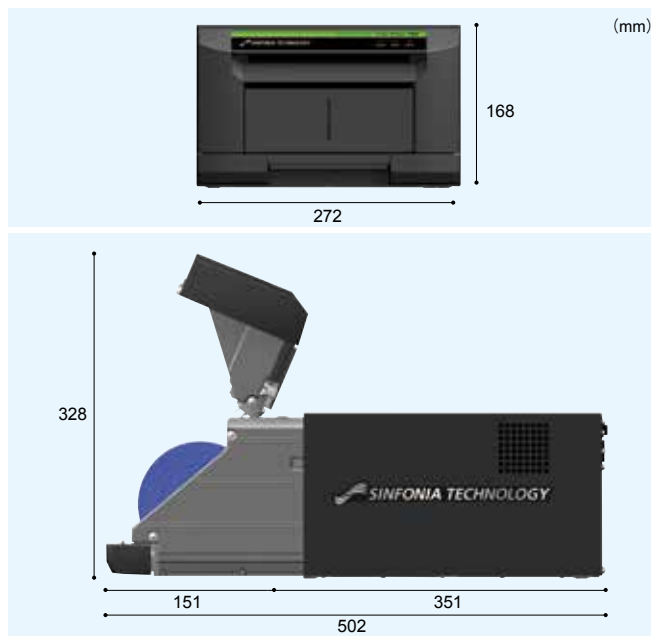


## Specifications

Model No.	CHC-S6145-5A
Print Method	Dye Sublimation Thermal Transfer
Resolution	300dpi
Paper Size Capacity	450 prints : 89mm×60mm
Paper Sending Size Variable	89mm×55, 56, 57, 58, 59, 60mm
Print Speed	11 seconds or less : Standard mode 14 seconds or less : Fine mode
Ink Ribbon / Paper	YMC+OP / Roll Paper
Dimensions	272 (W) × 168 (H) × 351 (D) mm
Weight	10Kg or less
Power Supply	AC100-240V , 50 / 60Hz Auto-switching
Power Consumption	3.1A- 1.3A
Interface	USB 2.0
Buffer Memory	32MB
Safety Standards	UL , cUL , CE
EMI	FCC ClassA , VCCI ClassA
Printer driver	Windows XP / Vista / 7 (32bit / 64bit)
Software Development Kit	DLL (Windows XP / Vista / 7)

The above specifications are subject to change without notice.  
Windows and Windows Vista are either registered trademarks or trademarks of Microsoft Corporation in the United States and/or other countries.

## Dimensions



**CAUTION!**

- Before use, read the instruction manual carefully to ensure safe operation.
- Do not position in wet, humid, dusty or smoky environments. This may result fire, breakdown or electric shock.

Formerly SHINKO ELECTRIC CO., LTD.

**SINFONIA** SINFONIA TECHNOLOGY CO., LTD.

<http://www.sinfo-t.jp/eng/printers.html>

Head office: Shiba NBF Tower, 1-30, Shibadaimon 1-chome, Minatoku, Tokyo, 105-8564 Japan  
Phone: +81-3-5473-1819 Fax: +81-3-5473-1844