

Inquiry/Specification form

Please fill out the form below.

Product to be handled	Name			
	Bulk density	g/cc	True density	g/cc
	Particle distribution	(~)mm	%	
		(~)mm	%	
		(~)mm	%	
		(~)mm	%	
		(~)mm	%	
	Max lump	mm	Moisture content	%
Temperature	°C	Angle of repose	degree	
Property of product	<input type="checkbox"/> Sticky	<input type="checkbox"/> Absorbent	<input type="checkbox"/> Corrosive	
	<input type="checkbox"/> Others ()			

Specification of machine	Order quantity			
	Handling capacity	Max. t/h	Nor. t/h	Min. t/h
	Operating interval	Run()minutes	Stop()minutes	
	Operating time	()day/year	()hr/day	
	Method of feeding	<input type="checkbox"/> Consecutive		<input type="checkbox"/> Batch
	Installation	<input type="checkbox"/> Indoor		<input type="checkbox"/> Outdoor
	Type of needed	<input type="checkbox"/> SBM	<input type="checkbox"/> RVS	<input type="checkbox"/> SF
		<input type="checkbox"/> Others ()		
	Trough	<input type="checkbox"/> Uncovered		<input type="checkbox"/> Covered with outlet
Material of trough				
Size of trough	W	L	H	

Specification of screen	Number of decks		Material	
	Opening	mesh or mm	Type of opening	

Power source	Voltage	AC	V	Frequency	Hz
--------------	---------	----	---	-----------	----

For safe and reliable operation, it is essential to read the user's manual carefully before using this equipment.

We have a new slogan in Japan; "ECOing" a combination of "eco" and "ing". This is to promote eco-friendly technological development and manufacturing. Our ecological activities are of course not limited to Japan and practiced in many countries around the world.

SINFONIA TECHNOLOGY CO., LTD.

Shiba NBF Tower, 1-30, Shibadaimon 1-chome, Minato-ku, Tokyo, 105-8564, Japan
TEL +81-3-5473-1864 FAX +81-3-5473-1845

SINFONIA TECHNOLOGY (THAILAND) CO., LTD. Bangkok Sales Office
12th Floor Room 1205, 319 Chamchuri Square Building, Phayathai Road, Pathumwan Bangkok Bangkok 10330
TEL +66-2160-5068 FAX +66-2160-5069

SINFONIA TECHNOLOGY (SINGAPORE) PTE. LTD.
96 Robinson Road, #13-02 SIF Building, Singapore 068899
TEL +65-6223-6122 FAX +65-6225-2729

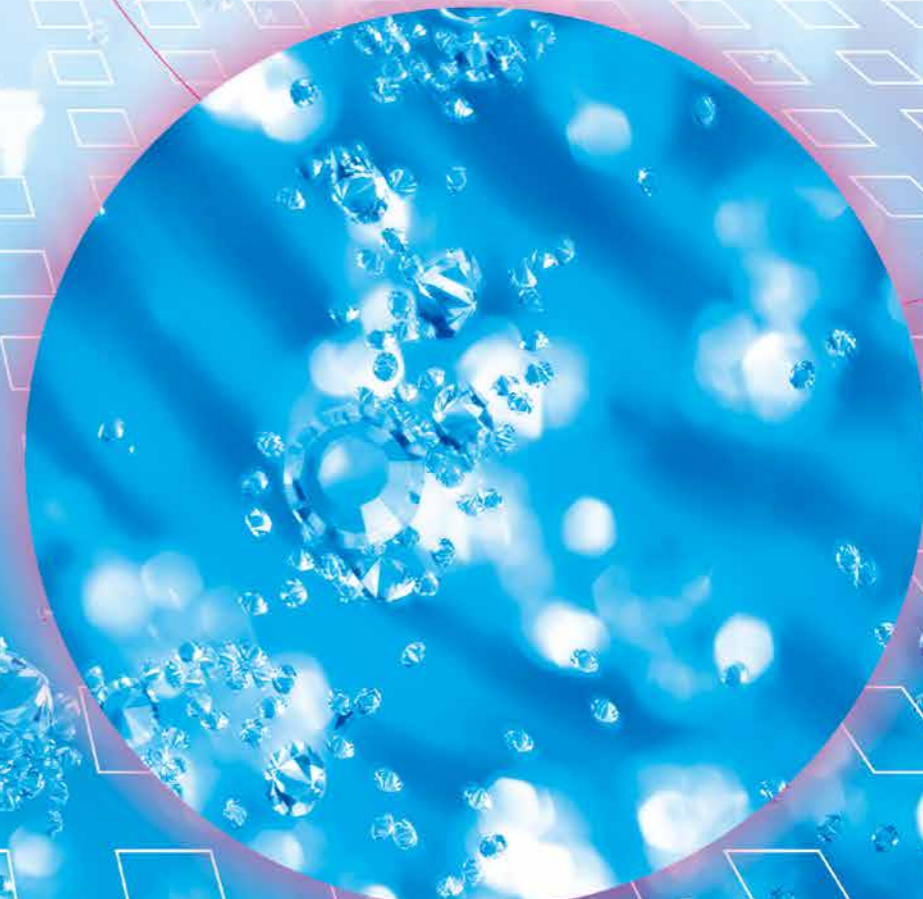
PT. SINFONIA TECHNOLOGY INDONESIA
Graha Paramita 8th Floor Suite E Jl. Denpasar Raya Block D2 KAV. 8 Kuningan, Jakarta 12940 Indonesia
TEL +62-21-252-3606 FAX +62-21-252-3608

Content of this catalogue may change due to product improvement without notice.
URL <http://www.sinfo-t.jp/eng>

Printed in Japan 2015 07B II ©

CODE
E95-002

Vibrating Screens



Vibrating Screens

SINFONIA Vibrating Screens realize high-quality sifting precisely matching materials and applications.

Sifting, one of the important processes in handling of powder and granular materials today, requires ever finer and wider ranges of vibration screens.

SINFONIA with its original vibration technique continues to design excellent sifting systems to meet customers' requirements for more efficient, more precise screening.

The products cover a wide range of applications in food, pharmaceutical, chemical, steel, quarry industries, etc. and win reputation and confidence of the markets.

The Vibrating Screens produced with accumulated technical know-how and strict quality control are available in a variety of types by designs and drive sources, including electromagnetic forces, direct motor vibration, eccentric shaft rotation, etc. ; customers are provided with the optimum system by combination of mesh, capacity, and shake according to their particle size, shape, and properties, along with flow rate, purpose, location, working conditions, etc.

Features

Wide variation

We produce various types of vibrating screens including electromagnetic screens using electromagnetic forces, RV Screen using direct motor vibration, and balanced screens using eccentric-shaft, in order to achieve the optimum sifting performance matching customers' materials, purposes, and conditions.

Safe, vibration isolating structure

Our vibrating screens affect less to work environment, and be used safely for a long time.

Straightforward servicing and maintenance

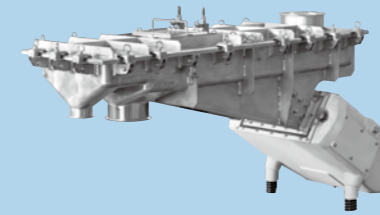
A simple structure of vibrating screen and robust body with very few rotating/wearing parts saves time for maintenance check, and maintain consistent performance.

Optimum design in accordance with respective needs

There are various available types of screen, covers, inlets and outlets of vibrating screen. Special specifications such as dust-tight, explosion-proof specifications of vibrating screens are also available upon request and use conditions.

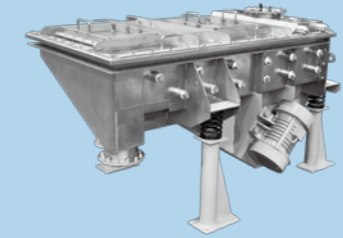
Products

Best suited for fine powder treatment in food and chemical industries.



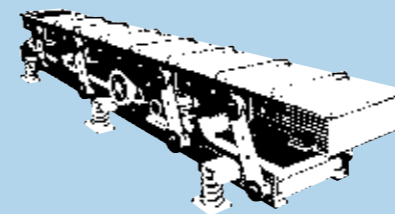
SF Type Electromagnetic Screens P.5

Operable in wide area, from food to steel industries.



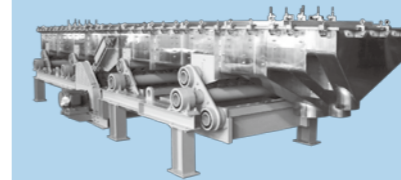
RVS Type Rotary Vibrating Screens P.7

Sift and convey at the same time.



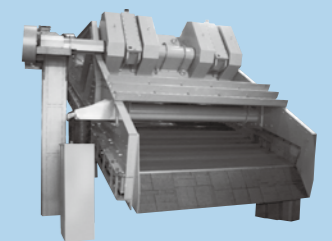
SMVCB Type Balanced Screens P.9

Closed line and long line structures can be made easily.



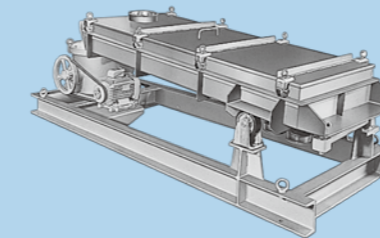
SBM Type Perfect Balance Screens P.11

Efficiently sift high volume.



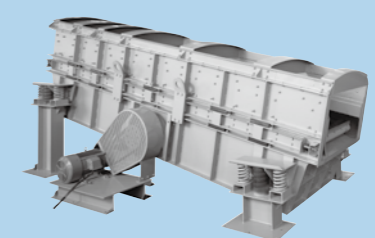
LDS Type Linear Drive Screens P.13

Sift by unique horizontal-swing motion.

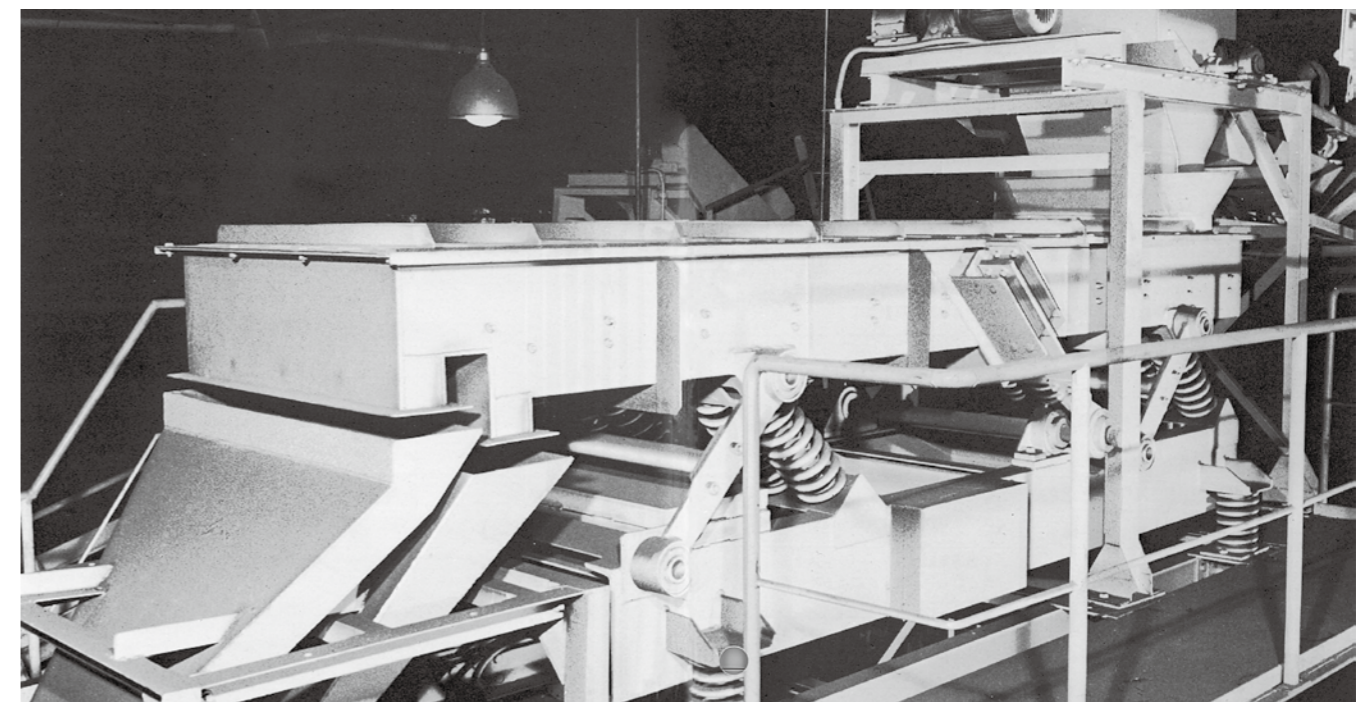


GYS Type Gyrotory Screens P.15

Avoid clogging by wavemotion sifting.



KRS Type Wave Screens P.17



Model list

Model	Applications	Drive method		Amplitude (mm)		Vibrating frequency per min.50/60Hz		Amplitude adjustment	Clogging prevention	Recommended screen opening	Explosion proof structure	Installation method
SF Type Electromagnetic Screens	Frequently used as screening combined with cutting out function. Also combined and used with weighing machines. Most suitable for removing lumps and wasters of resin pellets, and for fine powders in chemical, food and other industries.	Direct linear drive utilizing swing force of leaf spring amplified by electromagnetic vibration.		0-1.5		3000/3600		*1	—	150mesh-50mm	*4	Floor mounted / suspension Horizontal or quasi-horizontal
RVS Type Rotary Vibrating Screens	Suitable for a wide variety of process in feed, food, chemical, ceramic and other industries. Mainly middle sized materials up to 1800x2000 (mm).	Rotary vibrator is mounted directly on trough for direct transmission of vibrations to trough and screen.		4P	2-4	1450/1710		*2	Tapping ball is required.	150mesh-30mm	*4	Floor mounted / suspension Horizontal or inclined
				8P	5-8	720/850						
SMVCB Type Balanced Screens	Screen used at various types of industries, and having not only screening function but also conveying function. Suitable for screening and conveying moldings and resin powder, alumina, and more.	Resonant type elastic drive using 3-phase induction motor and eccentric shaft.		8-18		450-650		*2	Tapping ball is required.	150mesh-50mm	—	Floor mounted / suspension Horizontal or quasi-horizontal
SBM Type Perfect Balanced Screens	Capable of tightly-covered construction or long model easily; most suitable for fine powder in chemical, food and other industries.	Perfectly balanced type elastic drive using 3-phase induction motor and eccentric shaft.		8-20		450-650		*2	Tapping ball is required.	150mesh-50mm	*4	Floor mounted / suspension Horizontal or quasi-horizontal
LDS Type Linear Drive Screens	Large screen used for screening coke, coal, sintered ore, iron ore, copper ore, limestone, crushed stone, etc.	Forced drive using 3-phase induction motor and unbalanced weight to get linear motion.		6P	9	6P	980/-	—	—	5mm-50mm	*4	Floor mounted Inclined
				8P	10	8P	-/880					
GYS Type Gyratory Screens	Suitable for fine powder to minute powder because screen cloth vibrates roundly without vertical vibration. Therefore, it is very rare to pass columnar materials. Thus, it's suitable for special use such as removing pellet waste.	Horizontal swing using 3-phase induction motor, vertical eccentric shaft and roller.		50-70		250-200		—	Tapping ball is required.	150mesh-1mm	*4	Floor mounted Inclined
KRS Type Wave Screens	Wave screen can handle various kinds of granular materials that used to be difficult to handle continuously in the past because of clog. This is especially suitable for humid materials such as piled.	Combination drive receiving mixture of both round vibration from 3-phase induction motor and unbalanced weight and elasticity of screen by rubber spring for resonant vibration.		Body stroke : 6mm Screen stroke : 16mm		Approx.900		*2	Screen's own tension	2mm-40mm	—	Floor mounted Inclined
RSH Type Rubber Spring Screens	Used for feeding and screening materials, from fine to massive materials such as coke, sintered ore, and iron ore.	Resonance type consisting of 3-phase induction motor, unbalanced weight, and rubber spring.		6-7		Approx.1100		*1	Tapping ball is required.	150mesh-10mm	—	Floor mounted / suspension Horizontal or inclined
GF/RGH/RVG Type Grizzly Feeders	Used for primary screening of quarried stuffs, such as crushed stone, iron ore, coal and briquette.	GF...Electromagnetic type		0-1.5		3000/3600		*1	*3	Grizzly bar Sieve opening more than : 15mm	*4	Floor mounted / suspension Quasi-horizontal or inclined
		RGH...Electric motor type		6-7		Approx.1100		*1			—	
		RVG...Vibrating motor type		2-8		720-850		*2			*4	

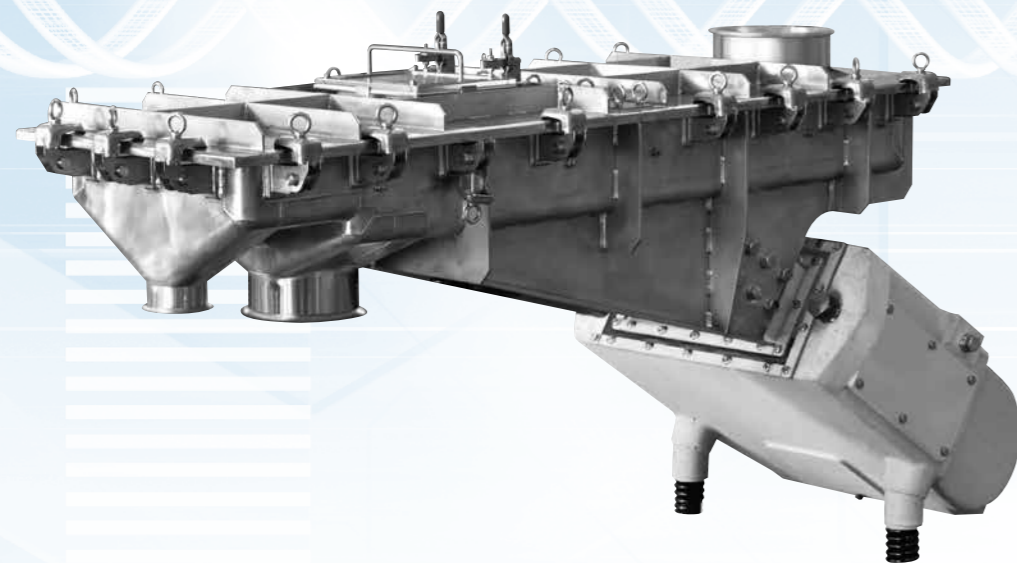
Note: *1 Adjustable when machine is in operation. *2 Adjustable when machine is stopped. *3 The marked models have a built-in clog preventing function without using tapping balls.
*4 The marked models have custom-made explosion proof versions (Drive unit only).

SF Type Electromagnetic Screens

High-efficiency model with delicate and fast vibration

SINFONIA electromagnetic screen uses swing force of leaf spring amplified by electromagnetic vibration and efficiently sifts materials.

The screen also functions as a metering feeder and has versatile usage, such as removing waste of resin pellets and powder, fine powders from food, chemical, metal, etc., providing efficient primary screening, sorting, dust removing, drying, washing, etc. of every material.



Features

Super-efficient sifting

Combination of high speed vibration (3000, 3600/min) and fine amplitude makes sifting, dust removing and drying efficiently. Little worries for clogging.

Easily-adjustable amplitude

Vibration amplitude is freely adjustable through controller to match material properties and process volume, enabling fixed feed.

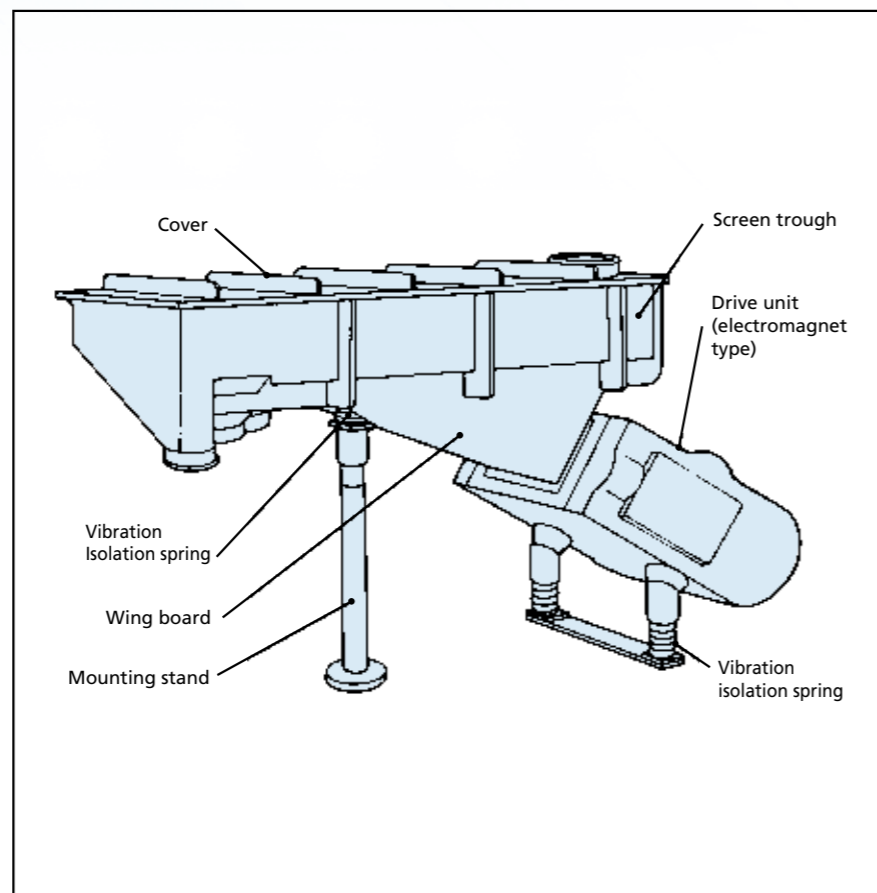
Dust-proof type is also available

Custom-made, fully-covered, dust-proof type is available for installation at sites of spray-control and hygienic control such as food and chemical factories and similar sites.

No maintenance required

The only movable component is leaf spring. The structure does not have wearing components caused by rotation of gear, cum, eccentric device, belt, motor, etc. No lubrication and maintenance is required.

Construction



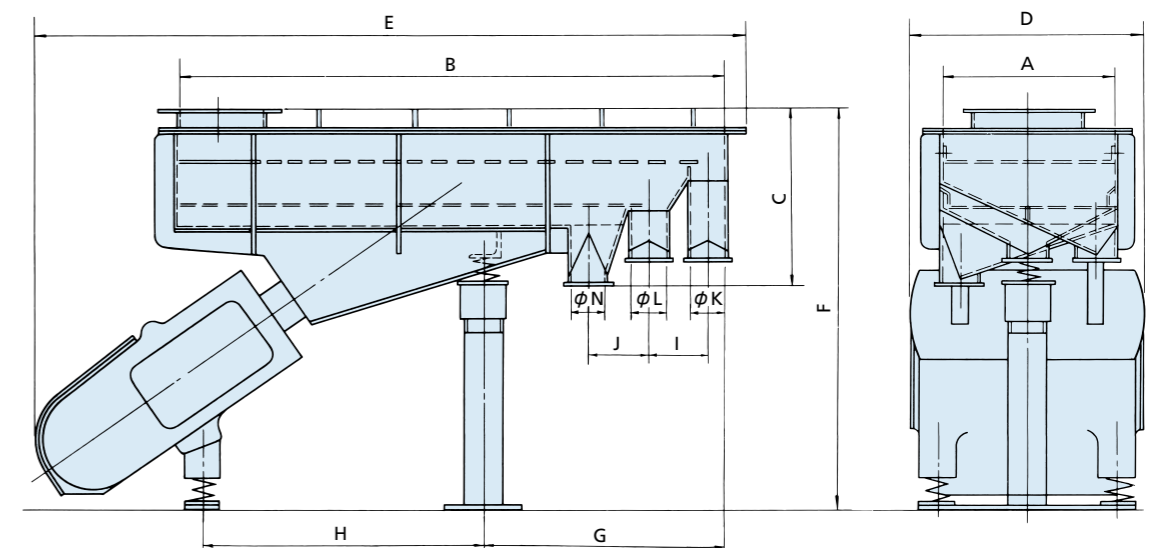
Specifications

Models	Voltage (V)	Frequency (Hz)	Input (W)	Current (A)	Rating	Weight (kg)	Applicable controller	Vibrations per minute, 50/60Hz	Effective screen area (m ²)	Example capacity for resin pellet (kg/Hr)
SF-212BDT	200/220	50/60	150	2.5	Continuous	120	C4-5B C6-15SC	3000/3600	0.16	250~350
SF-22BDT	200/220	50/60	300	5	Continuous	220	C4-5B C6-15SC	3000/3600	0.24	450~600
SFH-22BDT	200/220	50/60	420	7	Continuous	240	C6-15SC	3000/3600	0.28	500~700
SF-33BDT	200/220	50/60	600	10	Continuous	480	C6-15SC	3000/3600	0.38	750~1000
SFH-33BDT	200/220	50/60	850	14	Continuous	630	C6-15SC	3000/3600	0.48	1000~1300
SF-44BDT	200/220	50/60	1500	24	Continuous	1100	C6-30SC	3000/3600	0.61	1500~2000
SF-45BDT	200/220	50/60	2000	30	Continuous	1500	C6-30SC	3000/3600	0.87	2300~3000
SFH-45BDT	200/220	50/60	2200	36	Continuous	1800	C6-50SC	3000/3600	1.00	2600~3500

Note: 1. Example capacity is based on the operation of removing waste of resin pellets and powders.
2. Example capacity varies as above, depending on pellet's apparent specific gravity, particle size, surface, mesh, etc.
3. Specifications for explosion-proof are available. Please contact us for more details.

Dimensions

Below-deck drive type (Floor-mounted) double decks screens



Dimensions Table

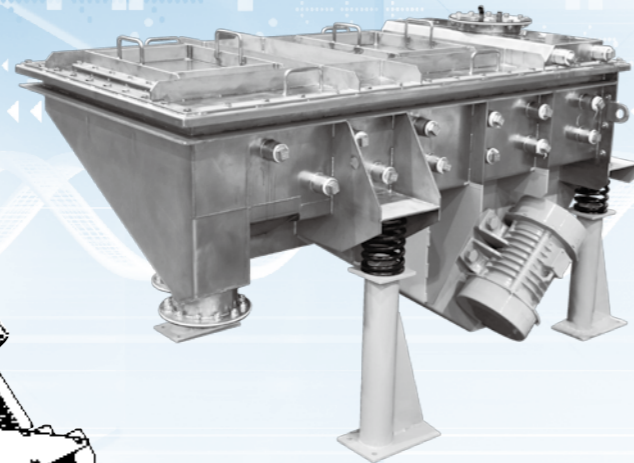
Models	A	B	C	D	E	F	G	H	I	J	K	L	N
SF-212BDT	250	900	290	360	1100	605	410	450	85	85	50	80	50
SF-22BDT	300	1100	360	430	1355	850	410	655	100	100	60	80	60
SFH-22BDT	350	1100	360	430	1355	850	410	655	100	100	60	80	60
SF-33BDT	400	1250	420	560	1605	945	525	650	102	102	80	100	80
SFH-33BDT	500	1250	450	600	1590	985	510	650	102	102	80	100	80
SF-44BDT	600	1400	500	850	1950	1205	570	850	120	120	80	100	80
SF-45BDT	700	1600	570	850	2020	1290	560	900	120	120	80	100	80
SFH-45BDT	800	1600	600	900	2020	1290	560	900	120	120	80	100	80

Unit : mm

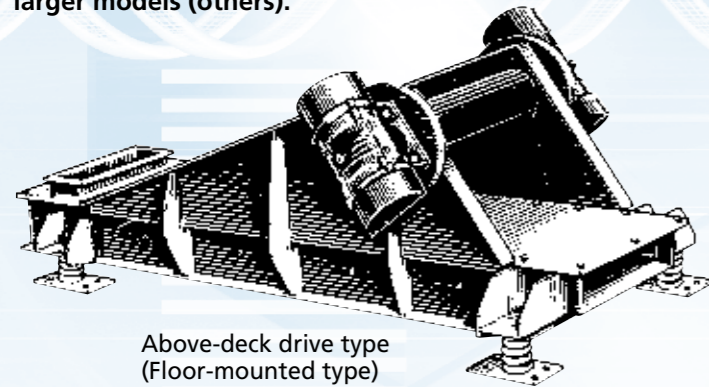
RVS Type Rotary Vibrating Screens

Powerful screen with direct vibration to trough

Rotary Vibrating Screens, with powerful Rotary Vibrating motors directly attached to the trough, effectively shakes the entire trough, making efficient sifting of fine- to medium-sized materials. Vibration per minute of 1450/1710 and amplitude of 2 to 4 mm for smaller models, 720/850 and 5 to 8 mm for larger models (others).



Below-deck drive type (Floor-mounted type)



Above-deck drive type (Floor-mounted type)

Features

Light, durable structure

Since a compact high-powered rotary vibrator is adopted as the drive unit, no belt or other accessories are needed. Therefore, the screen is very light yet durable.

Adjustable flow rate

The screening capacity can be adjusted with ease because the stroke can be varied by adjusting the unbalanced weight with the most suited number of poles.

Stable performance

The vibration's high power allows the RVS to operate stably even when screening adhesive materials.

Accurate screening

Single to triple deck type troughs are available upon request. So accurate high-efficiency screening can be performed by choosing the most suitable type for a particular material and flow rate.

Simple start, stop

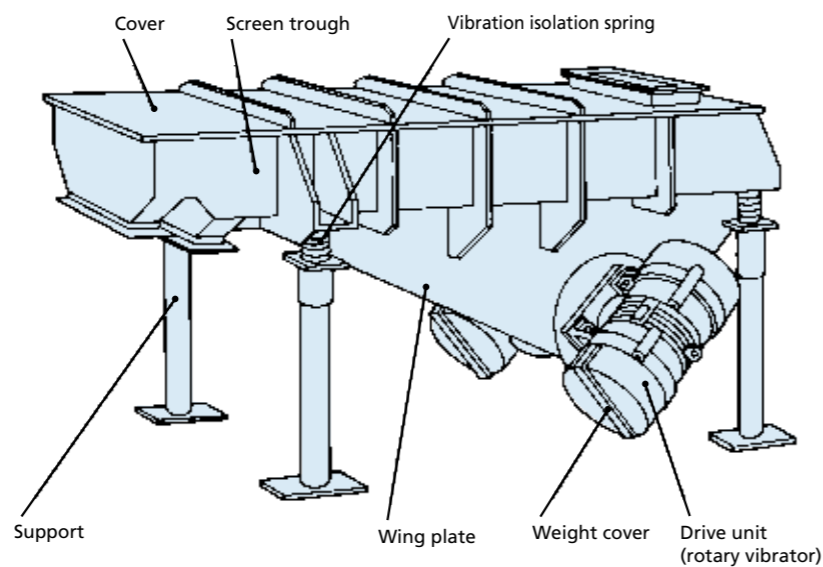
Pressing the controller pushbutton is all that is needed to start or stop screening.

When stopped, the screen is automatically and forcibly brought to a stop instantaneously.

This prevents material inflow after screening has stopped.

Construction

Below-deck drive type(Floor-mounted type)



Specifications

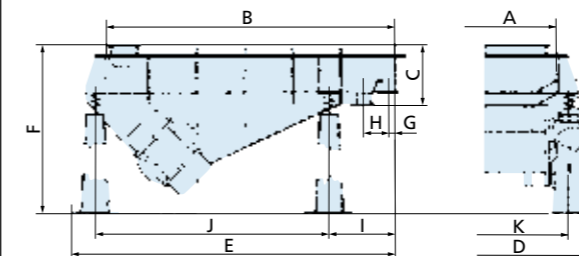
Models	Effective screening area (m ²)	Trough size width×length (mm)	Model of rotary vibrator (2 sets)	Rotary vibrator output (kW x number of units)	Vibrations per minute, 50/60Hz approx.	Weight (kg)	Applicable controller
RVS-450-1.2	0.33	450×1200	RV-24D	0.2×2	1450/1710	180	ORV-24×2R
RVS-600-1.2	0.45	600×1200	RV-44D	0.4×2	1450/1710	260	ORV-44×2R
RVS-750-1.5	0.78	750×1500	RV-74D	0.75×2	1450/1710	400	ORV-74×2R
RVS-900-1.8	1.16	900×1800	RV-158B	1.5×2	720/850	850	ORV-158-2R
RVS-900-2.4	1.68	900×2400	RV-158B	1.5×2	720/850	1100	ORV-158-2R
RVS-1200-2.4	2.28	1200×2400	RV-228B	2.2×2	720/850	1450	ORV-228-2R
RVS-1200-3	2.96	1200×3000	RV-378B	3.7×2	720/850	1650	ORV-378-2R
RVS-1500-3	3.74	1500×3000	RV-378B	3.7×2	720/850	2300	ORV-378-2R
RVS-1500-3.6	4.46	1500×3600	RV-558B	5.5×2	720/850	2500	ORV-558-2R
RVS-1500-4.8	6.2	1500×4800	RV-558B	5.5×2	720/850	3800	ORV-558-2R
RVS-1800-4.8	7.48	1800×4800	RV-758B	7.5×2	720/850	4850	ORV-758-2R

Note: 1. Double or triple-decks models are also available upon request.

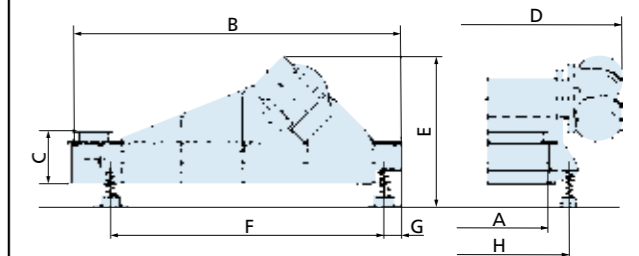
2. Specifications for explosion-proof are available. Please contact us for more details.

Dimensions

Below-deck drive type(Floor-mounted type) single-deck screens



Above-deck drive type(Floor-mounted type) single-deck screens



●Dimensions Table

Unit : mm

Models	A	B	C	D	E	F	G	H	I	J	K
RVS-450-1.2	450	1200	300	800	1345	770	50	200	450	820	640
RVS-600-1.2	600	1200	300	960	1475	830	50	200	450	850	800
RVS-750-1.5	750	1500	300	1150	1755	930	50	200	500	1080	950
RVS-900-1.8	900	1800	380	1260	2180	1260	50	200	500	1480	1100
RVS-900-2.4	900	2400	380	1260	2690	1260	50	200	540	1950	1100
RVS-1200-2.4	1200	2400	420	1620	2690	1400	50	200	540	1950	1400
RVS-1200-3	1200	3000	420	1620	3100	1400	50	200	750	2150	1400
RVS-1500-3	1500	3000	420	1700	3100	1500	50	200	750	2150	1700
RVS-1500-3.6	1500	3600	420	1700	3650	1500	50	200	800	2650	1700
RVS-1500-4.8	1500	4800	420	2050	4930	1700	80	260	1300	3400	1800
RVS-1800-4.8	1800	4800	420	2550	4930	1800	80	260	1300	3400	2100

●Dimensions Table

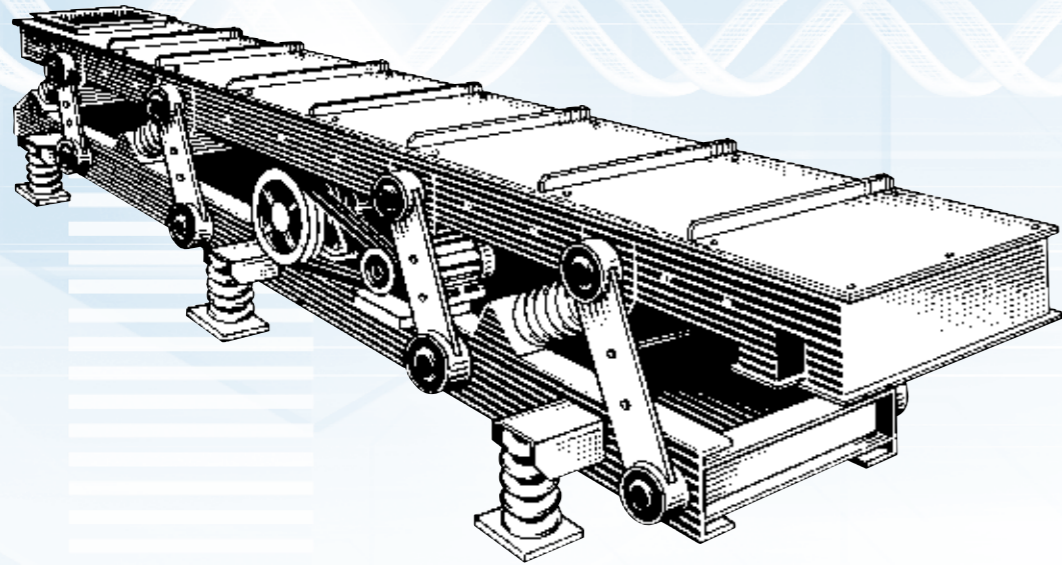
Unit : mm

Models	A	B	C	D	E	F	G	H
RVS-450-1.2	450	1200	250	1080	600	780	220	780
RVS-600-1.2	600	1200	300	1240	700	780	220	1000
RVS-750-1.5	750	1500	300	1480	830	1050	250	1100
RVS-900-1.8	900	1800	380	1760	1000	1350	220	1250
RVS-900-2.4	900	2400	380	1760	1110	1800	320	1250
RVS-1200-2.4	1200	2400	380	2180	1220	1800	320	1600
RVS-1200-3	1200	3000	380	2250	1270	2300	350	1600
RVS-1500-3	1500	3000	430	2550	1360	2300	300	1900
RVS-1500-3.6	1500	3600	430	2900	1400	2700	400	1900
RVS-1500-4.8	1500	4800	430	2900	1580	4000	400	2000
RVS-1800-4.8	1800	4800	480	3300	1600	4000	400	2300

SMVCB Type Balanced Screens

Vibration pollution free, multi-purpose type

Balanced screen, with simple but effective construction, reduces transmission of reactive forces to floor and supporting platform by ideal combination of the trough and the counterweight. Additional rubber springs sustaining the framework suppress the ground tremor to a minimum. Best suited for factories concerned with vibration pollution.



Features

Vibrations not transmitted to mounting base or floor

Very stable vibration-proof effectiveness is achieved by the effective use of a counterweight and isolation spring. It is not necessary to lay a special foundation

Low power consumption

Since the eccentric crank motion generated by the motor is amplified to vibrate the trough, less power is required for driving, and it's very cost efficient.

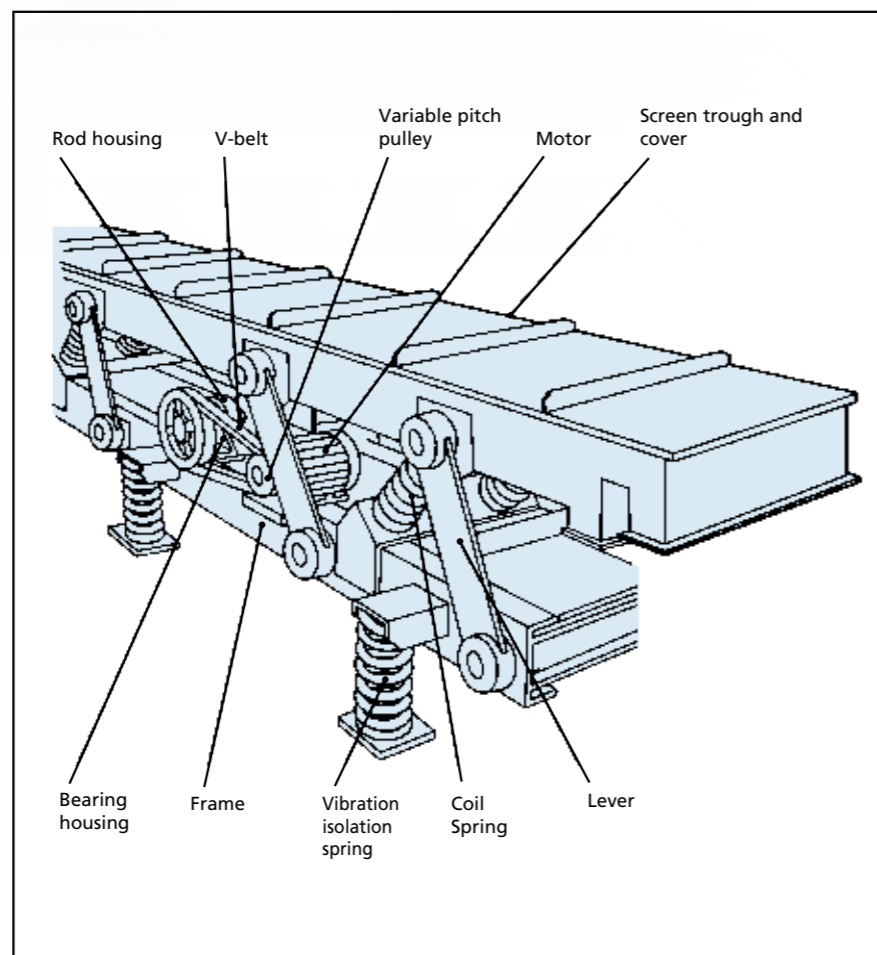
Easy maintenance and inspection

Maintenance and inspection are easy because its simple structure, and a few rotating and wearing parts needs oiling.

Wide range of applications

This screen offers a wide range of applications because in addition to screening work, it can perform conveying, dewatering, drying or cooling at the same time.

Construction



Specifications

●Single-deck screens

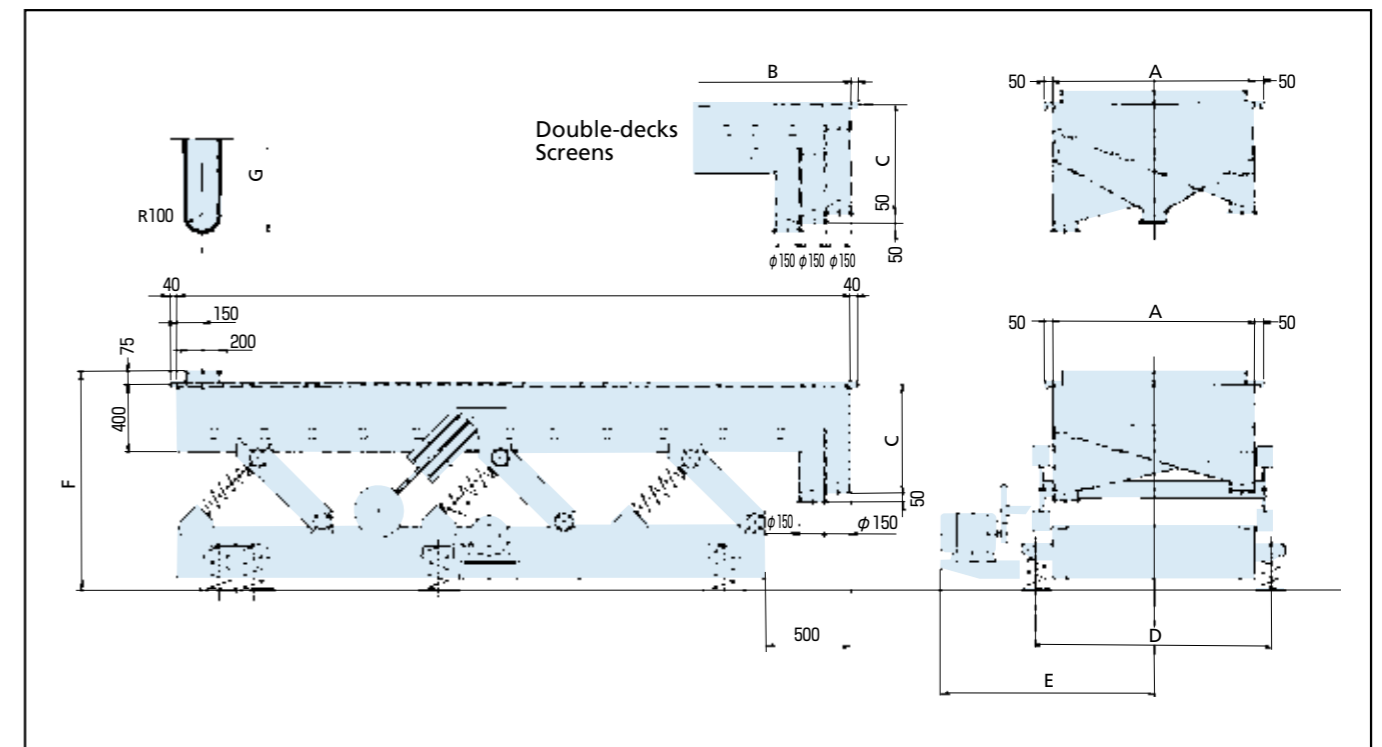
Models	Effective screening area (m ²)	Motor output (kW x number of units)	Vibrations per minute	Weight (kg)
SMVCB-450-2.5	0.7	1.5×1	450~650	1450
SMVCB-600-2.5	1.0	2.2×1	450~650	1850
SMVCB-600-3.0	1.2	2.2×1	450~650	2100
SMVCB-750-2.5	1.3	2.2×1	450~650	2350
SMVCB-750-3.0	1.6	2.2×1	450~650	2500
SMVCB-900-2.5	1.6	3.7×1	450~650	2900
SMVCB-900-3.0	2.0	3.7×1	450~650	3100
SMVCB-900-3.5	2.4	3.7×1	450~650	3400
SMVCB-1200-3.0	2.7	2.2×2	450~650	3900
SMVCB-1200-3.5	3.3	3.7×2	450~650	4200
SMVCB-1200-4.0	3.8	3.7×2	450~650	4600
SMVCB-1500-3.5	4.2	3.7×2	450~650	5300
SMVCB-1500-4.0	4.9	3.7×2	450~650	5800

●Double-decks screens

Models	Effective screening area (m ²)	Motor output (kW x number of units)	Vibrations per minute	Weight (kg)
SMVCB-450-2.5	0.68	1.5×1	450~650	1700
SMVCB-600-2.5	0.98	2.2×1	450~650	2150
SMVCB-600-3.0	1.15	2.2×1	450~650	2200
SMVCB-750-2.5	1.2	2.2×1	450~650	2650
SMVCB-750-3.0	1.5	3.7×1	450~650	2800
SMVCB-900-2.5	1.5	3.7×1	450~650	3300
SMVCB-900-3.0	1.85	3.7×1	450~650	3400
SMVCB-900-3.5	2.25	2.2×2	450~650	3800
SMVCB-1200-3.0	2.8	3.7×2	450~650	4400
SMVCB-1200-3.5	3.6	3.7×2	450~650	4550
SMVCB-1200-4.0	3.7	3.7×2	450~650	5000
SMVCB-1500-3.5	4.0	3.7×2	450~650	5800
SMVCB-1500-4.0	4.7	5.2×2	450~650	6700

Dimensions

Unit : mm



●Dimensions Table

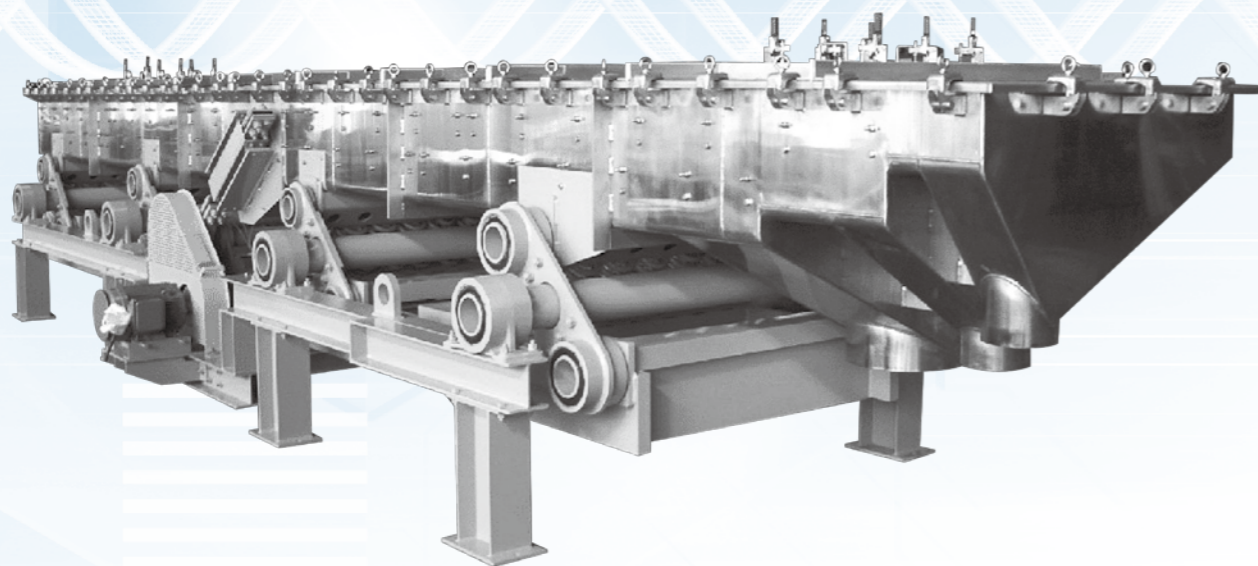
Unit : mm

Models	A	B	C	D	E (MAX) approx.	F approx.	G
SMVCB-450	450	2500	—	650	830	1225	400
SMVCB-600	600	2500	3000	650	900	1225	500
SMVCB-750	750	2500	3000	650	1000	1225	650
SMVCB-900	900	2500	3000 3500	650	1120	1225	800
SMVCB-1200	1200	—	3000 3500 4000	650	1270	1305	1100
SMVCB-1500	1500	—	3500 4000	650	1420	1305	1400

SBM Type BM Screens

Perfect Balanced Screens

With the SINFONIA SBM Type BM Screens, the upper or lower trough is counter-weighted to increase efficiency from the viewpoint of "balance" during on-load operation. this model facilitates long length and enclosed construction. It is especially suited for handling fine powder materials in the chemical and food industries.



Specifications

●Single-deck screens

Models	Effective screening area (m ²)	Motor output (kW x number of units)	Vibrations per minute	Weight (kg)
SBM-450-2.5	0.7	1.5×1	450~650	1100
SBM-600-2.5	1.0	2.2×1	450~650	1400
SBM-600-3.0	1.2	2.2×1	450~650	1500
SBM-750-2.5	1.3	2.2×1	450~650	1750
SBM-750-3.0	1.6	3.7×1	450~650	1900
SBM-900-2.5	1.6	3.7×1	450~650	2200
SBM-900-3.0	2.0	3.7×1	450~650	2300
SBM-900-3.5	2.4	3.7×1	450~650	2600
SBM-1200-3.0	2.7	2.2×2	450~650	3000
SBM-1200-3.5	3.3	3.7×2	450~650	3200
SBM-1200-4.0	3.8	3.7×2	450~650	3550
SBM-1500-3.5	4.2	3.7×2	450~650	4100
SBM-1500-4.0	4.9	3.7×2	450~650	4650

●Double-decks screens

Models	Effective screening area (m ²)	Motor output (kW x number of units)	Vibrations per minute	Weight (kg)
SBM-450-2.5	0.68	1.5×1	450~650	1300
SBM-600-2.5	0.98	2.2×1	450~650	1650
SBM-600-3.0	1.15	2.2×1	450~650	1750
SBM-750-2.5	1.2	3.7×1	450~650	2050
SBM-750-3.0	1.5	3.7×1	450~650	2200
SBM-900-2.5	1.5	3.7×1	450~650	2550
SBM-900-3.0	1.85	3.7×1	450~650	2650
SBM-900-3.5	2.25	2.2×2	450~650	3000
SBM-1200-3.0	2.8	3.7×2	450~650	3450
SBM-1200-3.5	3.6	3.7×2	450~650	3700
SBM-1200-4.0	3.7	3.7×2	450~650	4100
SBM-1500-3.5	4.0	3.7×2	450~650	4700
SBM-1500-4.0	4.7	3.7×2	450~650	5400

Features

Perfect vibration-proof

As a perfectly balanced construction, this type does not allow vibrations to reach the mounting base. Therefore, it can be installed on a high supporting structure. When the base is strong, as in the case of concrete, the screen can be installed without the isolation spring, thus reducing total height.

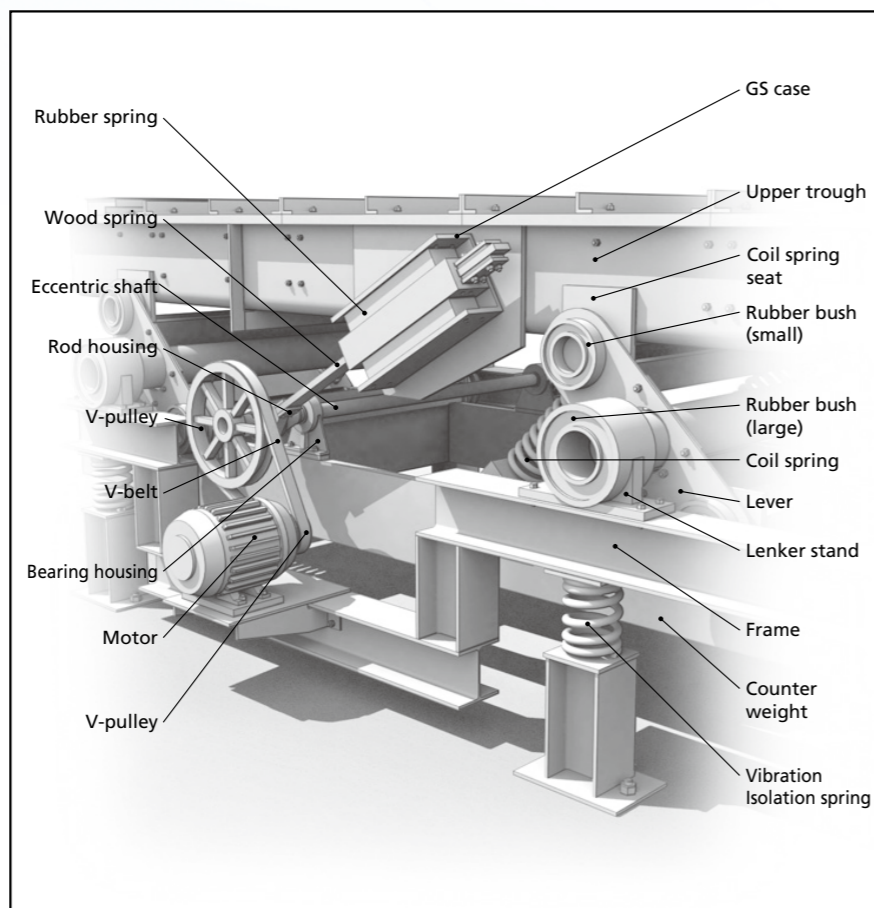
High efficiency

Work efficiency is increased by using either the upper or lower trough as a counterweight, resulting in a perfect screen balance under load.

Long, enclosed trough

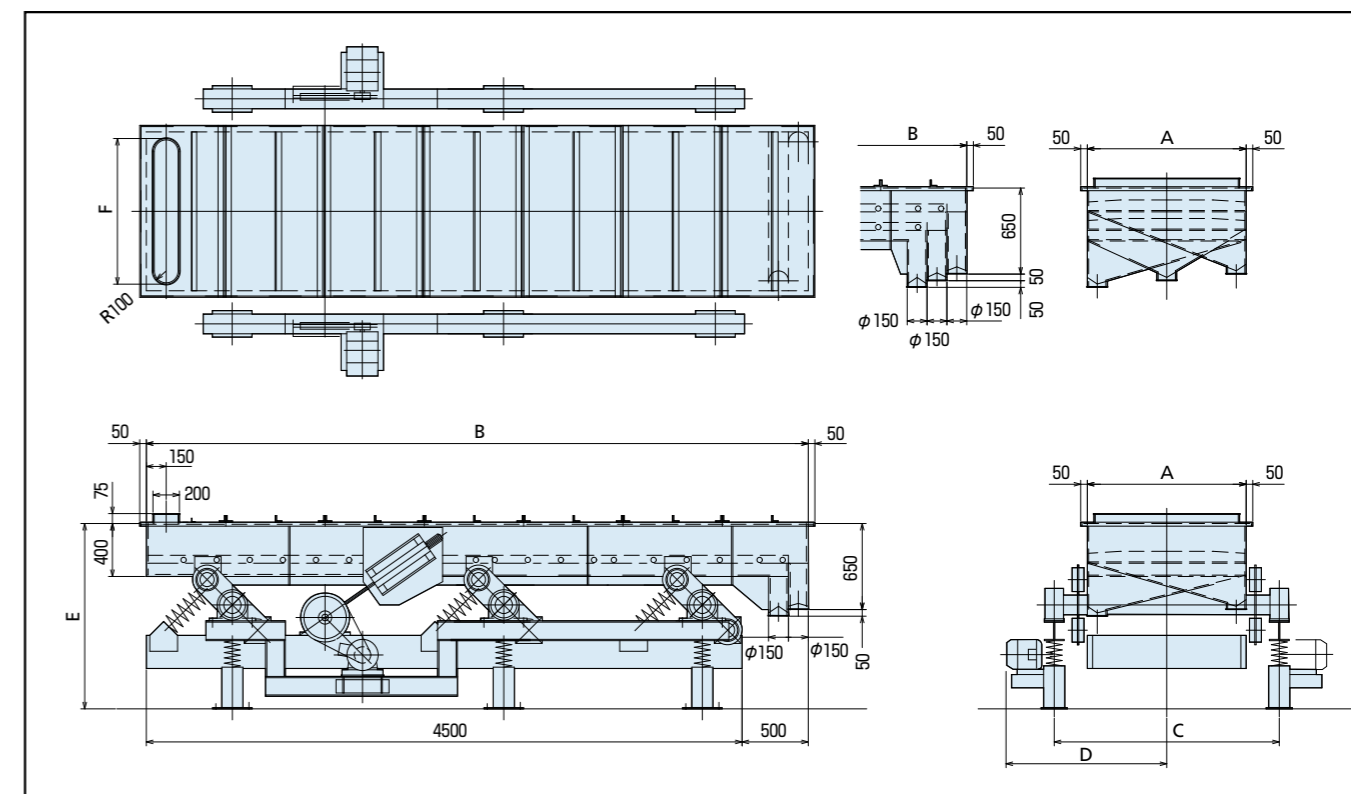
Various kinds of covers are available for enclosing the trough. In addition, a long model is available by joining 5 to 8 m-long portions in line.

Construction



Dimensions

Unit : mm



●Dimensions Table

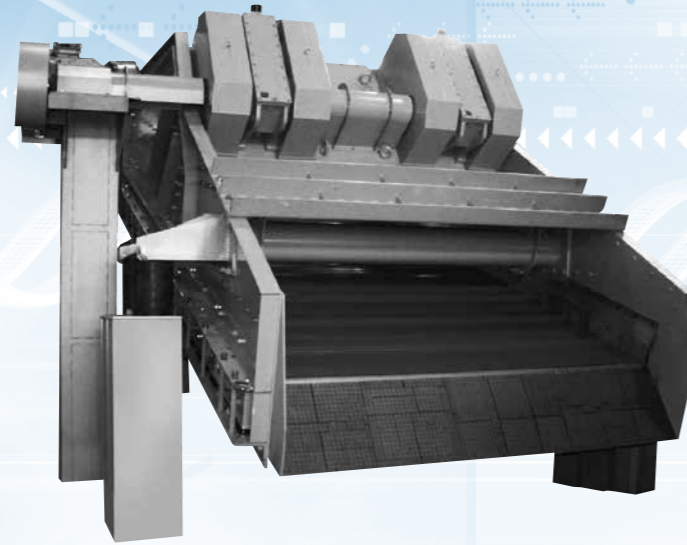
Unit : mm

Models	A	B	C	D (MAX) approx.	E	F
SBM-450	450	2500	—	820	1400±30	400
SBM-600	600	2500	3000	940	1400±30	500
SBM-750	750	2500	3000	1040	1400±30	650
SBM-900	900	2500	3000	1270	1400±30	800
SBM-1200	1200	—	3000	1420	1400±30	1100
SBM-1500	1500	—	3500	1570	1400±30	1400

LDS Type Linear Drive Screens

Powerful large screens for large-volume processing

Linear drive screen, with back-and-forth movement produced by compact but powerful exciter, achieves high sifting performance and efficiently handles large-volume processing of various materials including mineral ores.



Features

High-efficiency, large-volume processing.

A powerful alternating linear movement is generated on the entire screen at an angle of 45° and an acceleration of 5-6.5G. This powerful and sharp movement makes large-volume processing possible and prevents clogging.

Durable yet lightweight

A rivet construction using huck bolts is utilized for the frame to eliminate stress concentration during operation and to decrease weight. Moreover, the frame for the exciter is of a sturdy welded construction, yet reducing residual stress due to welding, thereby improving reliability.

Long-lasting exciter

The exciter's unbalanced weight is installed outside the casing, so there is little temperature rise of the lubricating oil inside.

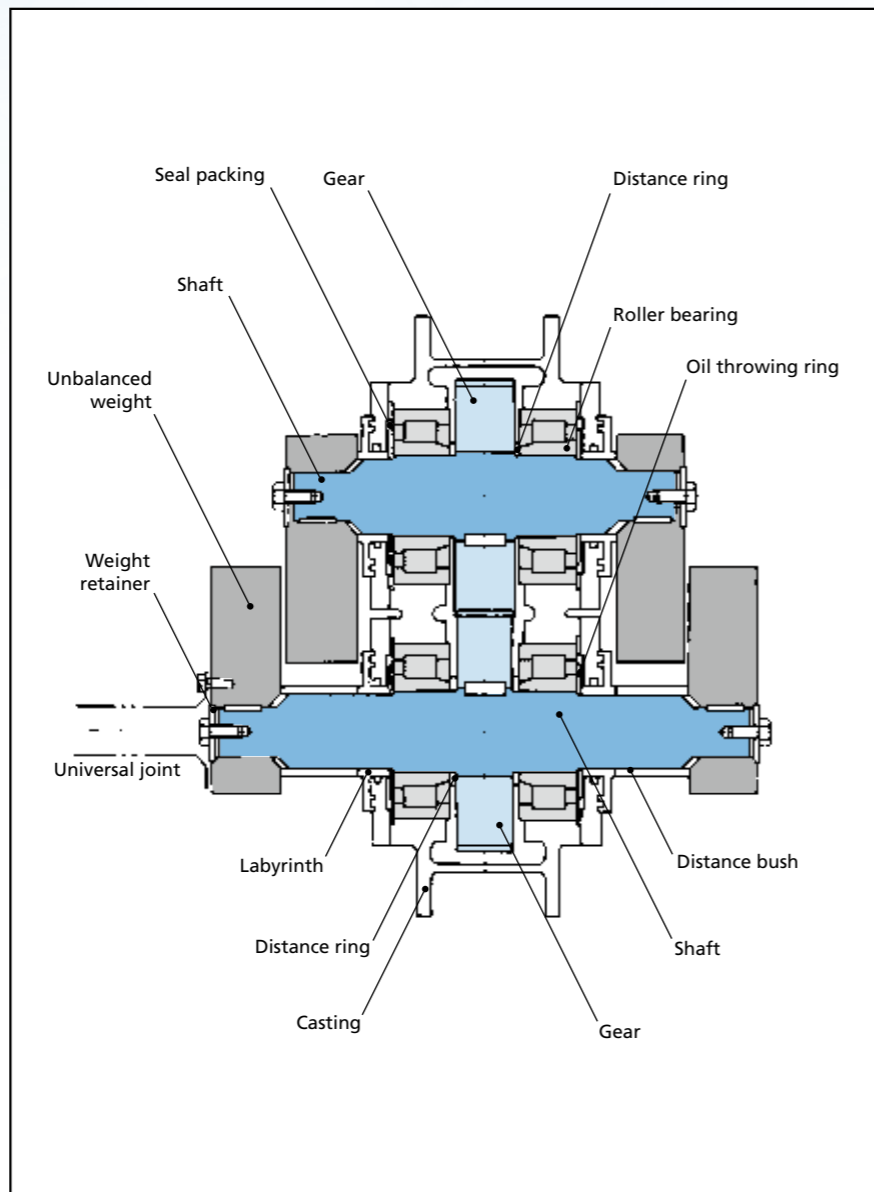
Easy maintenance

The exciter can be removed and replaced easily, which makes maintenance easy as well.

Smooth operation and outstanding vibration-proofing

Coil spring and rubber springs are used jointly for the isolation device, thereby minimizing vibration transmitted to the base or supporting frame, and making starting and stopping smooth.

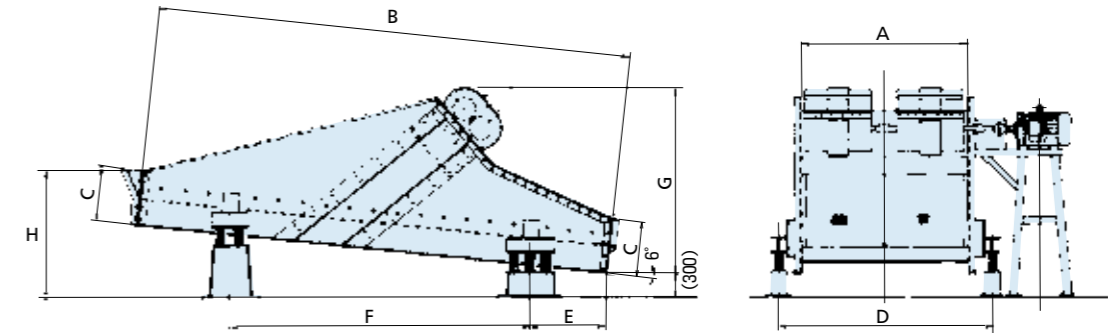
Exciter Construction



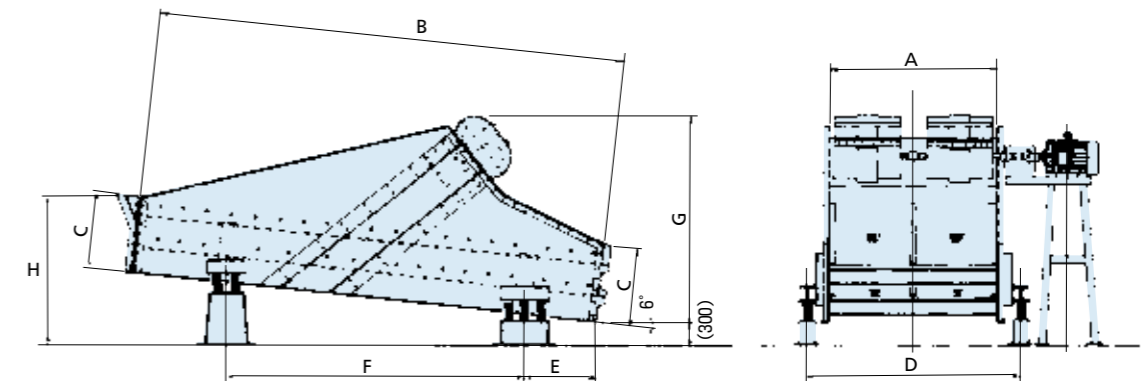
Dimensions

Unit : mm

Single-deck screens LDS1 Type



Double-decks screens LDS2 Type



Specifications

Single-deck screens

Models	Effective screening area (m ²)	Models of exciter	Vibrations per minute		Motor output(kW)	Weight (kg)
			60Hz 8P	50Hz 6P		
LDS1-1800-4.8	6.13	LD-256	900	1000	18.5	4800
LDS1-1800-5.4	7.00	LD-406	900	1000	22	5500
LDS1-2100-4.8	7.18	LD-406	900	1000	22	6400
LDS1-2100-6	9.23	LD-256×2	900	1000	37	7400
LDS1-2400-6	10.50	LD-256×2	900	1000	37	8000
LDS1-2400-7.2	12.90	LD-256×2	900	1000	45	9000
LDS1-2700-6	11.90	LD-256×2	900	1000	45	9000
LDS1-2700-7.2	14.60	LD-406×2	900	1000	45	11000

Double-decks screens

Models	Effective screening area (m ²)	Models of exciter	Vibrations per minute		Motor output(kW)	Weight (kg)
			60Hz 8P	50Hz 6P		
LDS2-1800-4.8	6.13	LD-406	900	1000	22	6400
LDS2-1800-5.4	7.00	LD-406	900	1000	22	7200
LDS2-2100-4.8	7.18	LD-256×2	900	1000	37	8500
LDS2-2100-6	9.23	LD-256×2	900	1000	45	9400
LDS2-2400-6	10.50	LD-406×2	900	1000	45	11000
LDS2-2400-7.2	12.90	LD-406×2	900	1000	55	12500
LDS2-2700-6	11.90	LD-406×2	900	1000	55	12500
LDS2-2700-7.2	14.60	LD-406×2	900	1000	55	14000

Dimensions

Single-deck screens

Unit : mm

Models	A	B	C	D	E	F	G	H
LDS1-1800-4.8	1800	4800	550	2300	800	2900	2050	1350
LDS1-1800-5.4	1800	5400	550	2300	1000	3700	2350	1400
LDS1-2100-4.8	2100	4800	550	2700	800	2900	2250	1350
LDS1-2100-6	2100	6000	650	2700	1000	3800	2400	1600
LDS1-2400-6	2400	6000	700	3100	1000	3800	2400	1650
LDS1-2400-7.2	2400	7200	700	3100	1300	4500	2550	1750
LDS1-2700-6	2700	6000	700	3400	1000	3800	2400	1650
LDS1-2700-7.2	2700	7200	700	3400	1300	4500	2700	1750

Double-decks screens

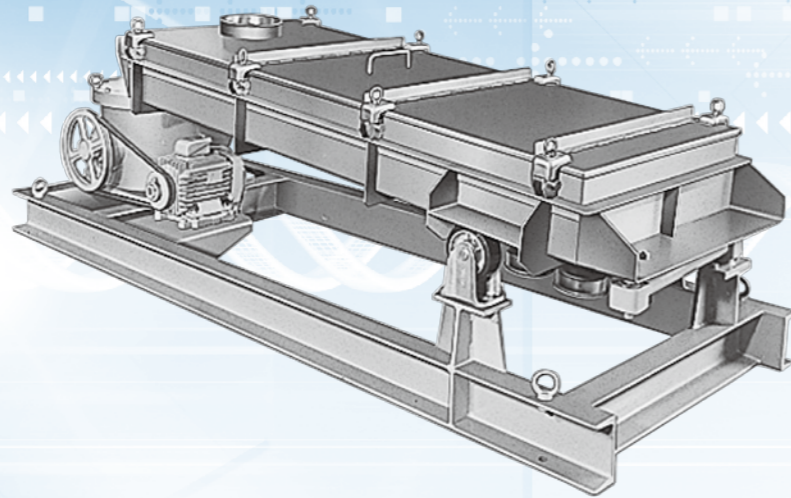
Unit : mm

Models	A	B	C	D	E	F	G	H
LDS2-1800-4.8	1800	4800	900	2300	700	2900	2650	1700
LDS2-1800-5.4	1800	5400	950	2300	800	3500	2750	1800
LDS2-2100-4.8	2100	4800	950	2700	700	2900	2600	1750
LDS2-2100-6	2100	6000	1000	2700	1000	3800	2650	1950
LDS2-2400-6	2400	6000	1100	3100	1000	3800	2950	2050
LDS2-2400-7.2	2400	7200	1100	3100	1400	3900	3100	2150
LDS2-2700-6	2700	6000	1200	3400	1000	3800	3000	2150
LDS2-2700-7.2	2700	7200	1200	3400	1400	4200	3100	2250

GYS Type Gyrotory Screens

High-efficiency, horizontal-swing sifting types

Gyrotory screen, with its unique horizontal-swing sifting is best suited for fine powder processing. Circular, oval, and reciprocal movements generated on the full screen area enable quick and uniform dispersion and sifting of materials.



Features

High screening efficiency

Horizontal gyration is tremendously efficient because it effectively uses the whole screen to quickly diffuse fine-powder materials, by means of the synergistic effect of three vibration motions—the diffusion effect of a circular motion at the material charging end, the conveying effect of a reciprocating motion at the discharge end, and the wide-range screening effect of an elliptical motion in-between.

Easy screen cloth replacement

The screen frames are easily removable, so replacement of screen cloth can be performed easily.

Prevent clogging

There is little possibility of clogging because rubber balls are provided under the screen cloth.

Flexible installation

The adoption of a compact "low-profile, low-reaction structure" with high vibration-proof effectiveness makes it possible to install the screen on a supporting frame, upstairs or anywhere else. Little vibration reaches the floor.

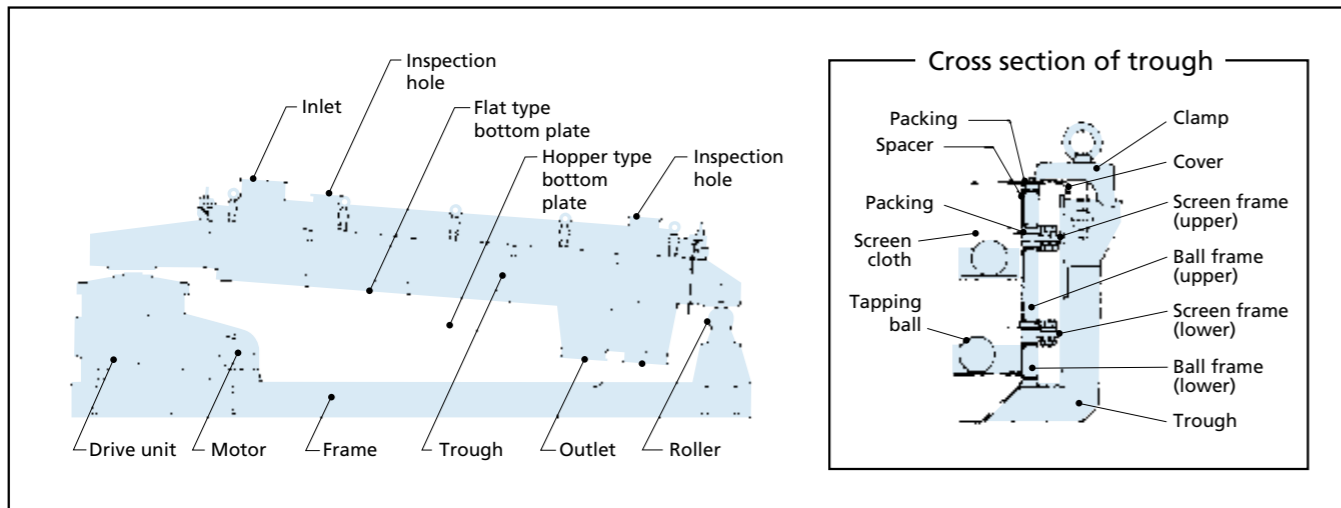
Perfect dust-proofing

The screen can be made perfectly dust-proof by connecting the material inlet and outlets with a flexible sleeve. The result is sanitary operation free from intrusion of foreign matter.

Long life and easy maintenance

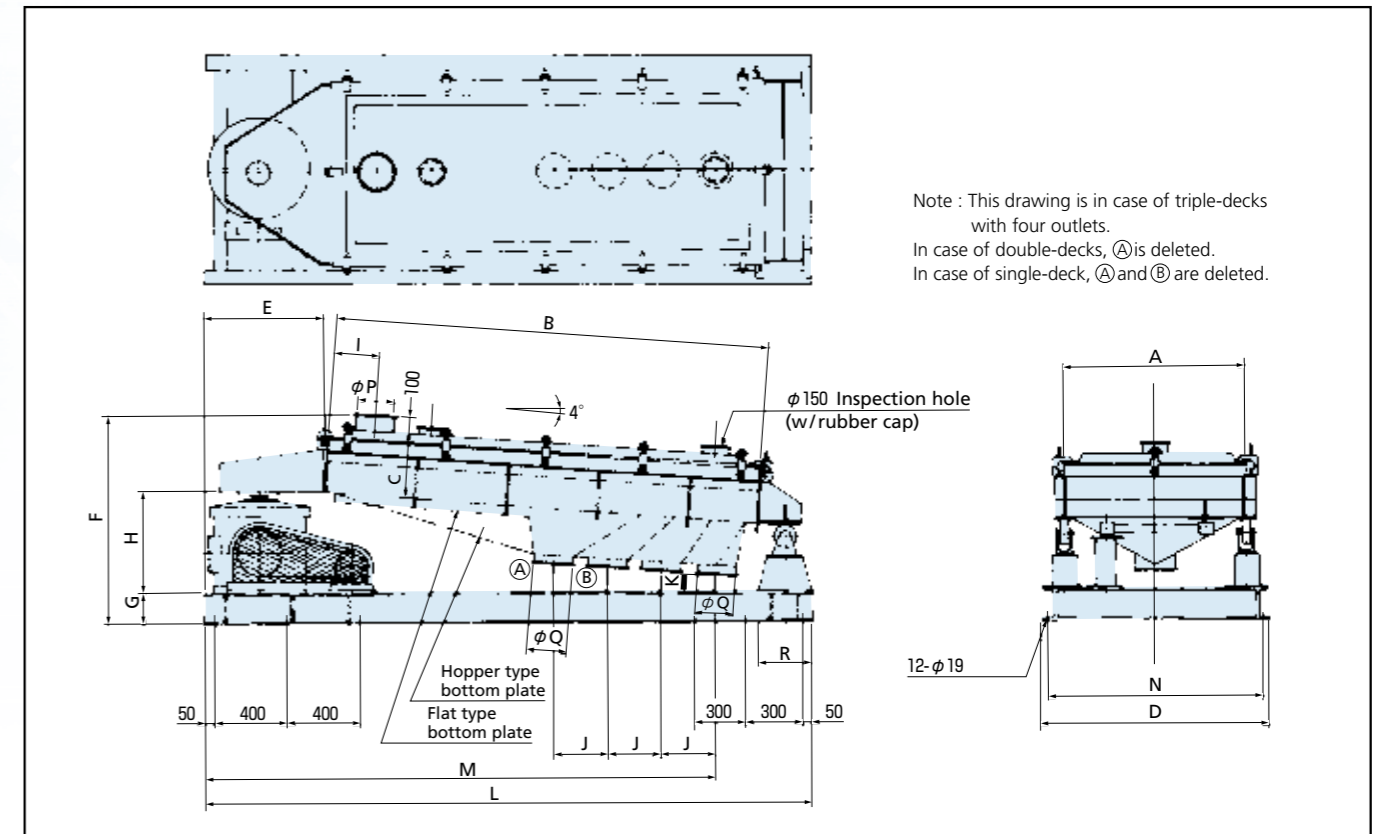
In the horizontal gyration screen, the screen surface makes a shockless motion on a horizontal plane. Therefore, the screen cloth lasts for a long time. Maintenance is easy because there are few consumables other than the screen cloth.

Construction



Dimensions

Unit : mm



Specifications

Models	Upper deck		Middle deck		Lower deck		Weight(kg)			Motor Output (kW)	Vibrations per minute	Stroke (mm)
	Screen size (mm)	Effective screening area(m ²)	Screen size (mm)	Effective screening area(m ²)	Screen size (mm)	Effective screening area(m ²)	Single-deck	Double-decks	Triple-decks			
GYS-600-1.2	600×1200	0.72	600×1000	0.60	600×800	0.48	800	850	900	1.5(4P)	250	50
GYS-600-1.5	600×1500	0.90	600×1300	0.78	600×1100	0.66	850	900	1000			
GYS-600-1.8	600×1800	1.08	600×1600	0.96	600×1400	0.84	900	950	1050			
GYS-900-1.5	900×1800	1.62	900×1600	1.44	900×1400	1.26	1100	1200	1300	2.2(4P)	250	50
GYS-900-2.4	900×2400	2.16	900×2200	1.98	900×2000	1.80	1250	1350	1500			
GYS-900-3.0	900×3000	2.70	900×2800	2.52	900×2600	2.34	1350	1450	1650			
GYS-1200-2.4	1200×2400	2.88	1200×2200	2.64	1200×2000	2.40	1950	2100	2250	2.2(6P)	200	70
GYS-1200-3.0	1200×3000	3.60	1200×2800	3.36	1200×2600	3.12	2100	2300	2500			
GYS-1200-3.6	1200×3600	4.32	1200×3400	4.08	1200×3200	3.84	2250	2450	2700			
GYS-1500-3.0	1500×3000	4.50	1500×2800	4.20	1500×2600	3.90	2550	2750	3000	3.7(6P)	200	70
GYS-1500-3.6	1500×3600	5.40	1500×3400	5.10	1500×3200	4.80	2750	3000	3300			
GYS-1500-4.5	1500×4500	6.75	1500×4300	6.45	1500×4100	6.15	3000	3300	3650			

Dimensions Table

Unit : mm

Models	A	B	C			D	E	F			G	H	I	J	K	L	M	N	φP	φQ	R
			Single-deck	Double-decks	Triple-decks			Single-deck	Double-decks	Triple-decks											
GYS-600-1.2	700	1500	300	350	480	950	650	994	1044	1173	150	460	220	250	170	2450	1933	880	170	170	300
GYS-600-1.5	700	1800	300	350	480	950	650	994	1044	1173	150	460	220	250	149	2750	2232	880	170	170	300
GYS-600-1.8	700	2100	300	350	480	950	650	994	1044	1173	150	460	220	250	128	3050	2531	880	170	170	300
GYS-900-1.5	1000	2100	300	350	480	1250	650	1134	1184	1313	180	570	220	250	168	3050	2527	1180	170	170	300
GYS-900-2.4	1000	2700	300	350	480	1250	650	1134	1184	1313	180	570	220	250	126	3650	3125	1180	170	170	300
GYS-900-3.0	1000	3300	300	350	480	1250	650	1134	1184	1313	180	570	220	250	84	4250	3724	1180	170	170	300
GYS-1200-2.4	1300	2700	300	350	480	1550	850	1182	1231	1361	200	600	250	300	97	3950	3321	1480	220	220	400
GYS-1200-3.0	1300	3300	300	350	480	1550	850	1182	1231	1361	200	600	250	300	55	4550	3920	1480	220	220	400
GYS-1200-3.6	1300	3900	300	350	480	1550	850	1182	1231	1361	200	600	250	300	13	5150	4518	1480	220	220	400
GYS-1500-3.0	1600	3300	300	350	480	1850	850	1232	1281	1411	200	650	250	300	85	4550	3918	1770	220	220	400
GYS-1500-3.6	1600	3900	300	350	480	1850	850	1232	1281	1411	200	650	250	300	43	5150	4517	1770	220	220	400
GYS-1500-4.5	1600	4800	300	350	480	1850	850	1232	1281	1411	200	650	250	300	-20	6050	5414	1770	220	220	400

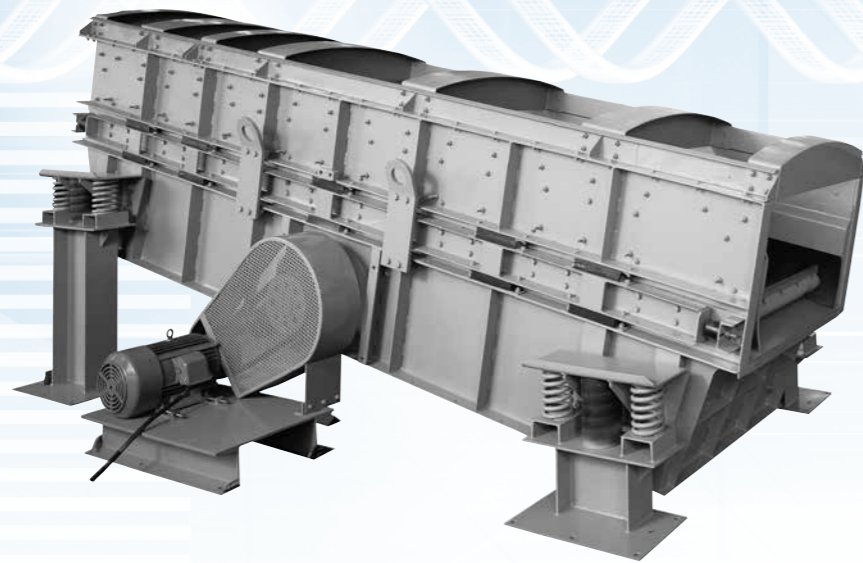
KRS Type Wave Screens

Unique type that screen waves

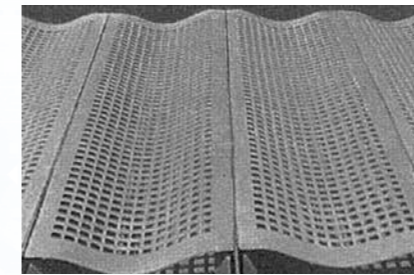
Wave screen is the unique screens that screen waves and vibrates to sieve humid or adhesive material.

Those materials can be efficiently sieved without clogging because trough's waving movement gives accelerating force to the handling material.

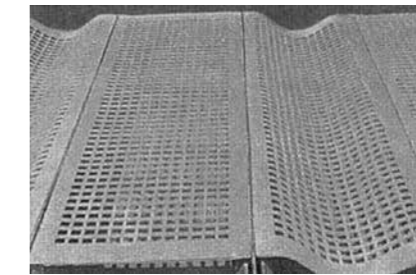
This screen is applicable for variety of materials that are sticky and basic sieving size from 2 to 35mm, but especially suitable for field heaping.



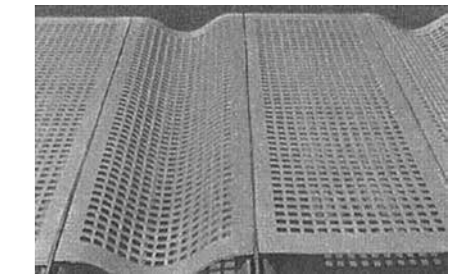
●Center



●Rightward movement



●Leftward movement



Features

No clogging with waving screen

Dynamic vibration with tighten and loosen movement of screen realized screening of adhesive materials without clogging.

You only need a hammer to replace screen

Replacement of screen is very easy, and only a hammer is required because screen is held without using any bolts.

Adjustable installation height

Only 5 degrees of inclination is enough for operation (a basic inclination is 15 degrees) because both circler vibration from drive unit and resonant vibration of frame give acceleration force to handling material. Therefore, installation height would be lower.

Flexible supply and screening condition

Depend on an amount of supply or humidity of applying material, vibrating frequency and effective screening area can be adjustable by inverter control and adjustment of unbalanced weight.

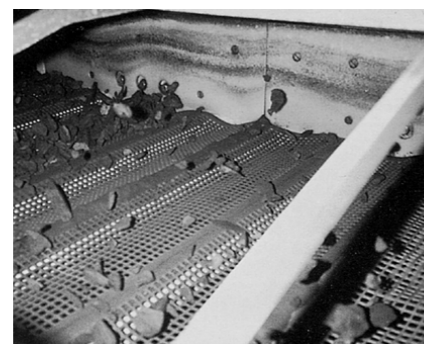
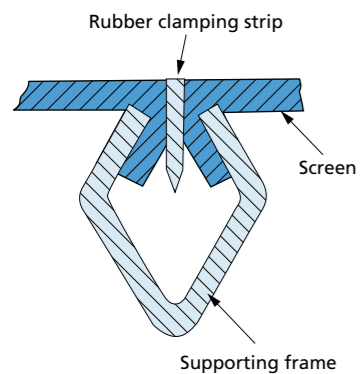
Durable construction and maintenance-free

Almost no maintenance is required because structure of body is very simple. Moreover, screen is made with urethane that permanently preserves elasticity, and this makes maintenance easier.

Unique types also available

A unique type called "ox horn" type is also available. This type has screen that resembles to ox horn, and this is very efficient because the shape fills space between screen cloth and cover in order to avoid leak of material.

Holding method without using bolt

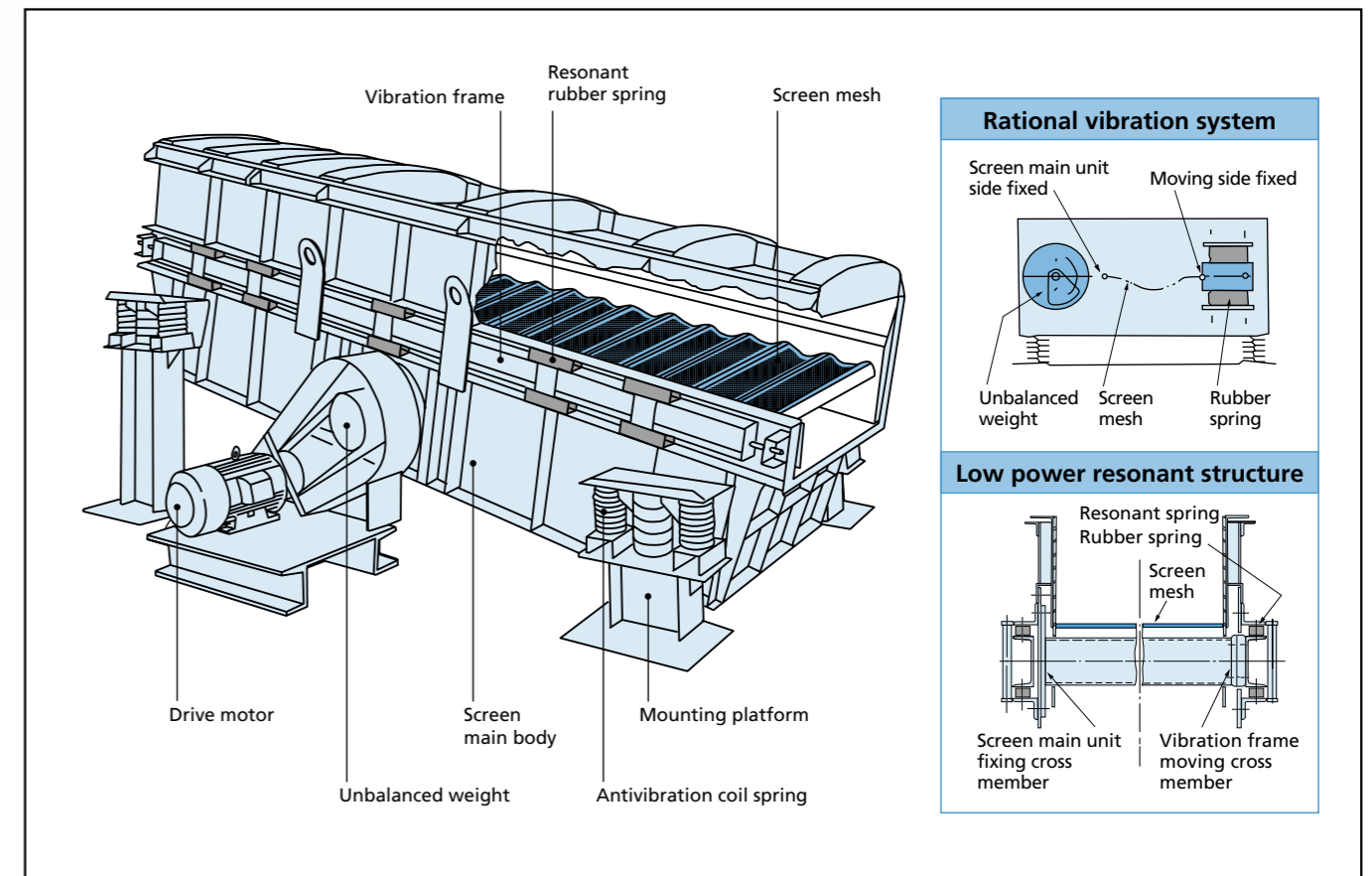


Operating wave screen



Unique screen type "ox horn type"

Construction



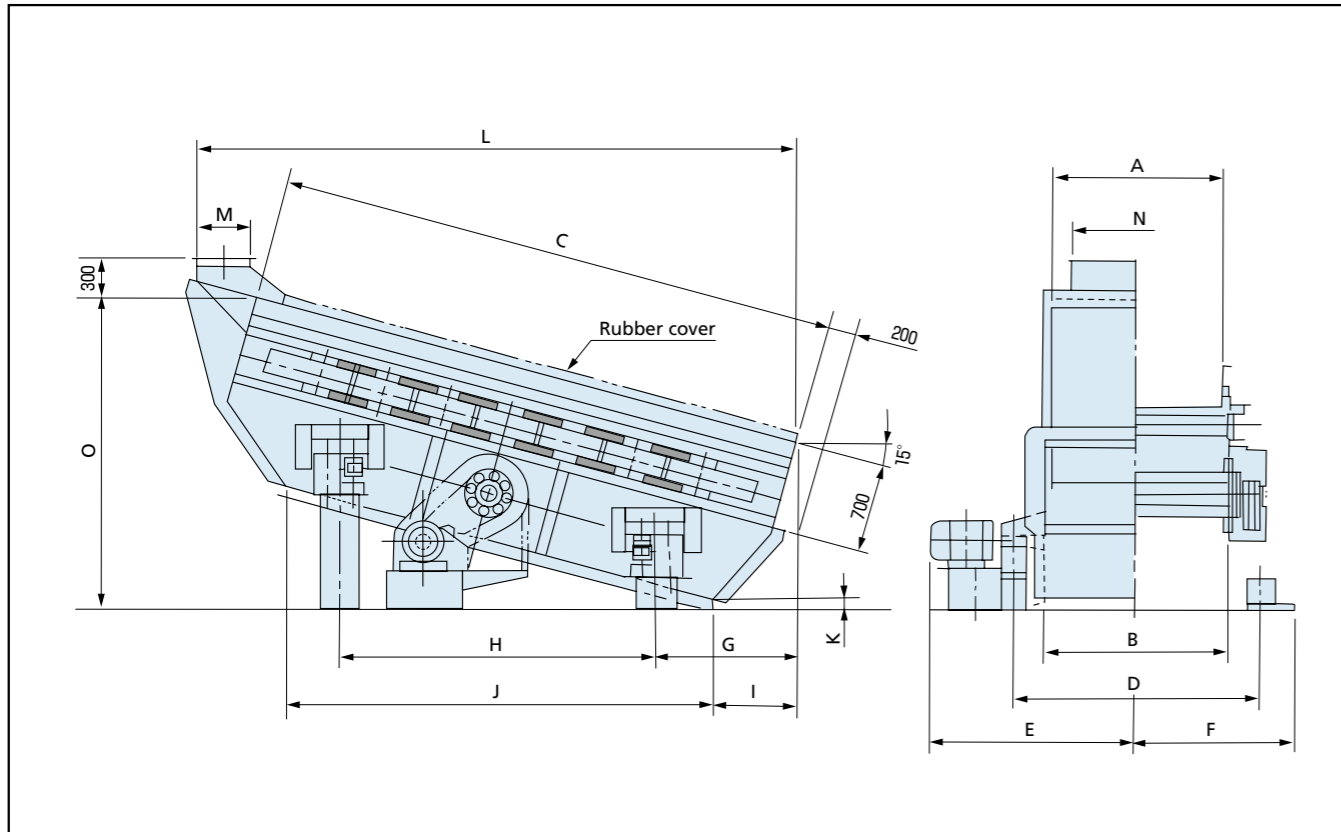
Specifications

Models	Effective screening area (m ²)	Motor output (kW)	Vibrations per minute	Weight (kg)
KRS-800-2	1.5	5.5	900	2100
KRS-800-3	2.3	7.5	900	2900
KRS-800-4	3.1	7.5	900	3500
KRS-1000-3	3.0	7.5	900	3300
KRS-1000-4	4.0	11	900	4300
KRS-1000-5	5.0	15	900	5000
KRS-1000-6	6.0	15	900	5600
KRS-1300-3	3.9	11	900	3600
KRS-1300-4	5.2	11	900	4600
KRS-1300-5	6.4	15	900	5500
KRS-1300-6	7.7	18.5	900	6200

Models	Effective screening area (m ²)	Motor output (kW)	Vibrations per minute	Weight (kg)
KRS-1600-3	4.8	11	900	4900
KRS-1600-4	6.3	15	900	6100
KRS-1600-5	7.9	18.5	900	7400
KRS-1600-6	9.5	22	900	8300
KRS-1900-4	7.5	15	900	7400
KRS-1900-5	9.4	18.5	900	8900
KRS-1900-6	11.3	22	900	10000
KRS-2200-5	10.9	22	900	10200
KRS-2200-6	13.0	30	900	11700
KRS-2400-5	11.9	30	900	11500
KRS-2400-6	14.2	30	900	13500

Dimensions

Unit : mm



●Dimensions Table

Unit : mm

Models	A	B	C	D	E	F	G	H	I	J	K	L	M	N	O
KRS-800-2	780	880	2250	1300	1150	850	600	1500	324	2173	110	2511	300	750	1900
KRS-800-3	780	880	3230	1300	1200	850	800	1900	549	2434	167	3458	300	750	2150
KRS-800-4	780	880	4220	1300	1200	850	1050	2400	549	3391	161	4414	300	750	2400
KRS-1000-3	1010	1110	3230	1600	1400	1000	800	1900	549	2434	167	3458	300	800	2150
KRS-1000-4	1010	1110	4220	1600	1450	1050	1050	2400	620	3231	76	4414	300	800	2400
KRS-1000-5	1010	1110	5200	1600	1500	1050	1300	2900	620	4177	73	5361	300	800	2650
KRS-1000-6	1010	1110	6190	1600	1500	1100	1300	3900	655	5053	24	6317	300	800	2900
KRS-1300-3	1310	1410	3230	1900	1550	1150	800	1900	549	2434	167	3555	400	1000	2150
KRS-1300-4	1310	1410	4220	1900	1600	1200	1050	2400	620	3231	76	4511	400	1000	2400
KRS-1300-5	1310	1410	5200	1900	1650	1200	1300	2900	620	4177	73	5458	400	1000	2650
KRS-1300-6	1310	1410	6190	1900	1650	1250	1300	3900	655	5053	24	6414	400	1000	2900
KRS-1600-3	1610	1710	3230	2200	1750	1300	850	1800	620	2274	82	3555	400	1200	2150
KRS-1600-4	1610	1710	4220	2200	1800	1350	1050	2400	620	3231	76	4511	400	1200	2400
KRS-1600-5	1610	1710	5200	2200	1800	1350	1300	2900	655	4097	30	5458	400	1200	2650
KRS-1600-6	1610	1710	6190	2200	1800	1400	1300	3900	726	4893	-10	6414	400	1200	2950
KRS-1900-4	1910	2010	4220	2500	1950	1500	1050	2400	655	3323	34	4511	400	1300	2400
KRS-1900-5	1910	2010	5200	2500	1950	1550	1300	2900	726	3937	-4	5458	400	1300	2700
KRS-1900-6	1910	2010	6190	2500	1950	1550	1300	3850	726	4893	-10	6414	400	1300	2950
KRS-2200-5	2210	2310	5200	2850	2100	1725	1300	2900	726	3937	-4	5554	500	1500	2700
KRS-2200-6	2210	2310	6190	2850	2200	1825	1300	3850	868	4746	-130	6510	500	1500	3000
KRS-2400-5	2410	2510	5200	3050	2300	1825	1300	2900	868	3789	-173	5554	500	1600	2700
KRS-2400-6	2410	2510	6190	3050	2300	1925	1300	3850	868	4746	-130	6510	500	1600	3000

Note: 1. A trough includes cover without bottom.
2. Double-decks type is available.

For separation of cast and sand. Fast separation of sand and casts from molding flask.



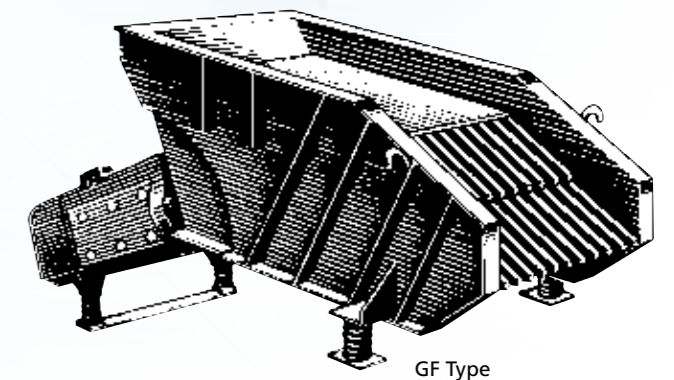
Shakeout Machines

Special-purpose vibrator to separate cast and sand from molding flasks, with adjustable vibration amplitude according to cast size and sand conditions. Cast product is transferred from deck plate to next process. Easy operation, maintenance, and inspection. Best suited for streamlining of sand treatment.

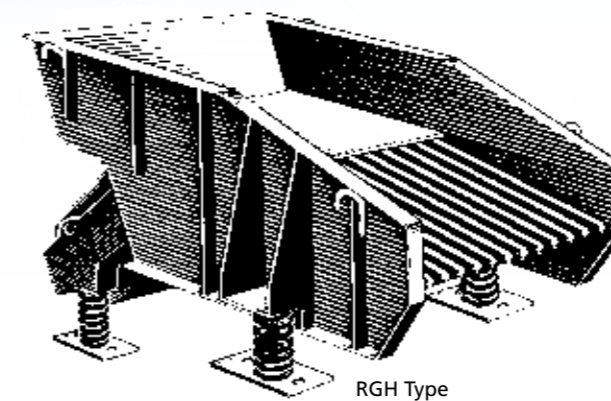
For primary screening of medium to large-size materials and feeding large volume.

GF Type Grizzly Feeders

Vibrator utilizing swing force of the leaf spring amplified by electromagnetic vibration achieves high-speed primary screening of mineral ore, crushed stone, limestone, etc. Heavy-duty robust structure with adjustable flow volume.



GF Type



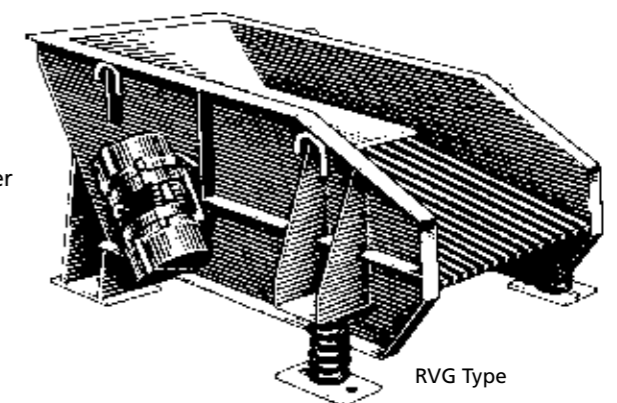
RGH Type

RGH Type Rubber Spring Grizzly Feeders

Vibrator driven by a combination of powerful force from the rotating unbalanced weight and rubber spring. Small driving power, but able to work as multi-purpose, large-volume primary separator. Stable, heavy-duty as GF Type and is not affected by working conditions.

RVG Type RV Grizzly Feeders

Light-weight but robust structure, forced-power vibrator driven by a motor directly attached to the trough. Strong vibration to the trough eliminates material adhesion and the resulting over swing, enabling stable operation.



RVG Type

Features of Screen Cloths

There are several types of screen clothes such as woven wire screen, punch metal, rubber screen, and grizzly bar. Choosing the suitable screen is necessary in order to improve screening efficiency.

● **Woven wire screen**

Plain weave and flat-top weave are mainly used for woven wire screens. However, Ton-cap weave and Tie-rod weave are also used for viscous materials and mass processing. Screens are usually made by hard steel wire, but galvanizing lines and stainless steel wire are used depending on the intended use.

● **Perforated metal screen**

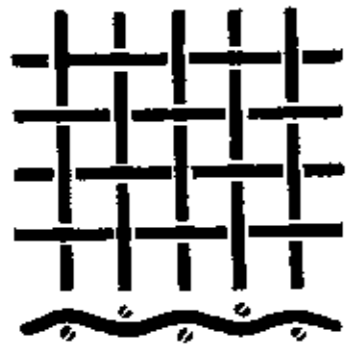
Square hole is mainly used for perforated metal screens, but there are various types available such as round hole, and Oblong. Steel board is usually used for punch metals, but High-tensile steel board and stainless steel board are also used depending on the intended use.

● **Rubber screen**

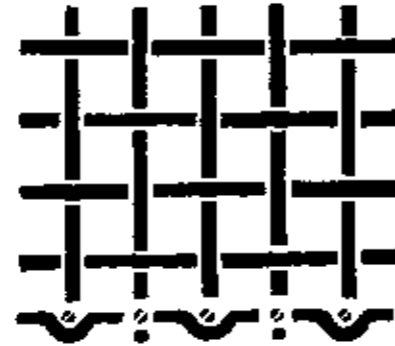
Square hole, round hole, and oblong are used for rubber screens. Structure of rubber screen depends on the manufacturing company. Therefore, there are products such as perforated abrasion resistance rubber board, and metallic molding type with a built in reinforcing cord and plate.

● **Grizzly bar** ● **Comb**

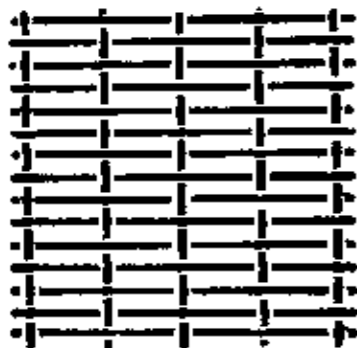
Woven wire screens



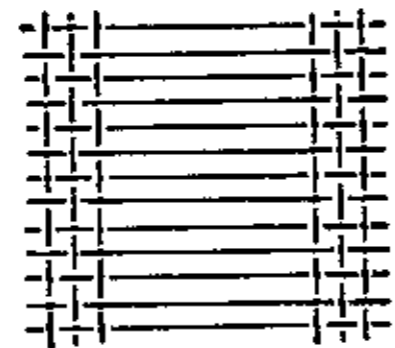
Plain weave



Flat-top weave

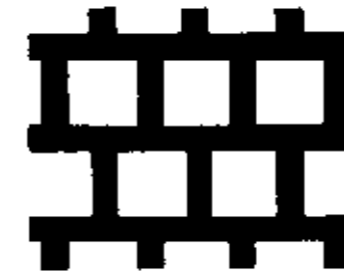


Ton-cap weave

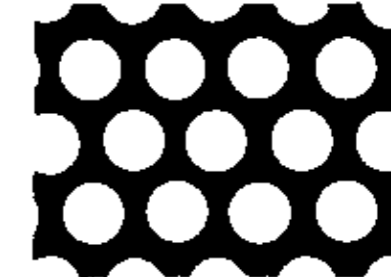


Tie-rod weave

Perforated metal screens



Square hole



Round hole

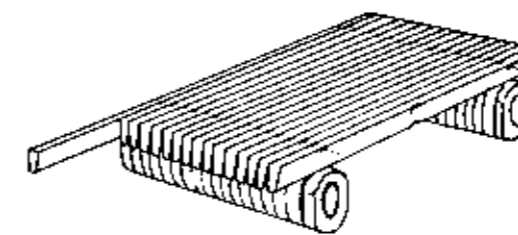


Oblongs

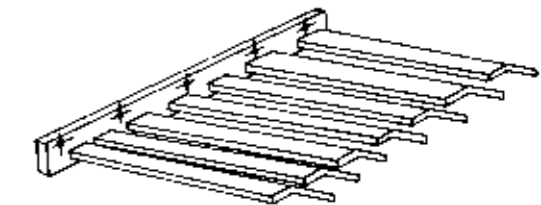


Herringbone

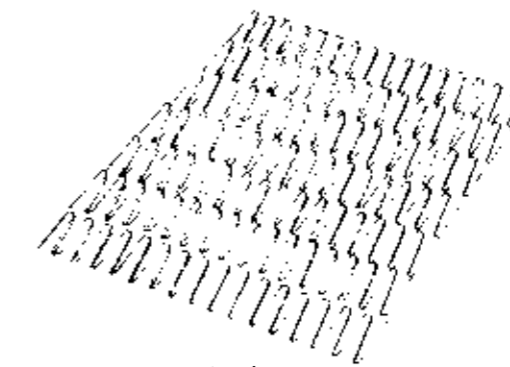
Special screens



Wedge wire



Louver



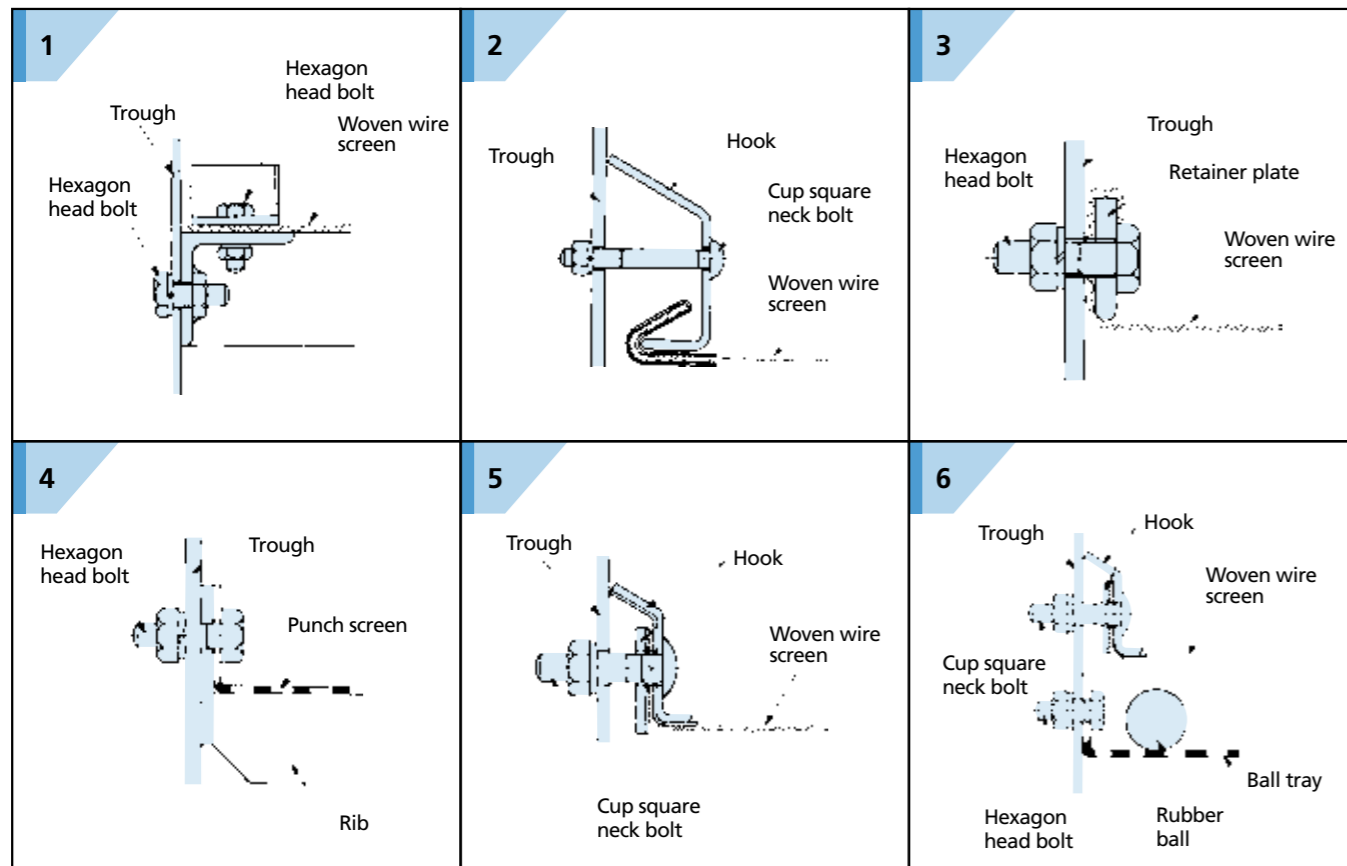
Comb

Opening Chart*

Nominal dimension (μm)	Opening			Wire(mm)		Mesh(JIS)	Tyler mesh	Voidage(%)	Tyler opening (mm)
	Measure (mm)	Tolerance(%)		Diameter	Tolerance				
		Average	Maximum						
5660	5.66	±2.5	10	1.600	± 0.040	3.5	3.5	60.8	5.613
4760	4.76	±2.5	10	1.290	± 0.040	4.2	4	61.8	4.699
4000	4.00	±2.5	10	1.080	± 0.040	5	5	62.0	3.962
3360	3.36	±3	10	0.870	± 0.030	6	6	63.1	3.327
2830	2.83	±3	10	0.800	± 0.030	7	7	60.8	2.794
2380	2.38	±3	10	0.800	± 0.030	8	8	56.0	2.362
2000	2.00	±3	10	0.760	± 0.030	9.2	9	52.5	1.981
1680	1.68	±3	10	0.740	± 0.025	10.5	10	48.2	1.651
1410	1.41	±3	10	0.710	± 0.025	12	12	44.2	1.397
1190	1.19	±3	10	0.620	± 0.025	14	14	43.2	1.168
1000	1.00	±5	15	0.590	± 0.025	16	16	39.6	0.991
840	0.84	±5	15	0.430	± 0.025	20	20	43.8	0.833
710	0.71	±5	15	0.350	± 0.025	24	24	44.9	0.701
590	0.59	±5	15	0.320	± 0.020	28	28	42.0	0.589
500	0.50	±6	15	0.290	± 0.020	32	32	40.1	0.495
420	0.42	±6	25	0.290	± 0.020	36	35	35.0	0.417
350	0.35	±6	25	0.260	± 0.020	42	42	32.9	0.351
297	0.297	±6	25	0.232	± 0.015	48	48	31.5	0.295
250	0.250	±6	25	0.174	± 0.015	60	60	34.8	0.246
210	0.210	±6	25	0.153	± 0.015	70	65	33.5	0.208
177	0.177	±6	25	0.141	± 0.015	80	80	31.0	0.175
149	0.149	±6	40	0.105	± 0.015	100	100	34.4	0.147
125	0.125	±6	40	0.087	± 0.015	120	115	34.8	0.124
105	0.105	±6	40	0.070	± 0.010	145	150	36.0	0.104
88	0.088	±7	40	0.061	± 0.010	170	170	34.9	0.088
74	0.074	±7	60	0.053	± 0.010	200	200	34.0	0.074
63	0.063	±7	60	0.039	± 0.005	250	250	38.1	0.061
53	0.053	±8	60	0.038	± 0.005	280	270	33.9	0.053
44	0.044	±8	60	0.028	± 0.005	350	325	37.3	0.043
37	0.037	±8	90	0.026	± 0.005	400	400	34.5	0.038

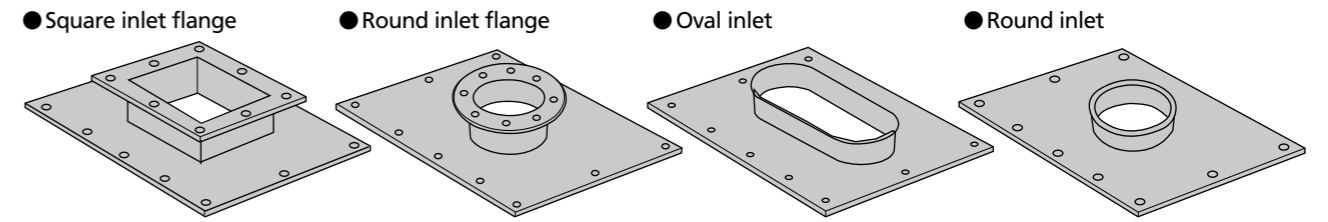
*According to JIS

Screen Installation



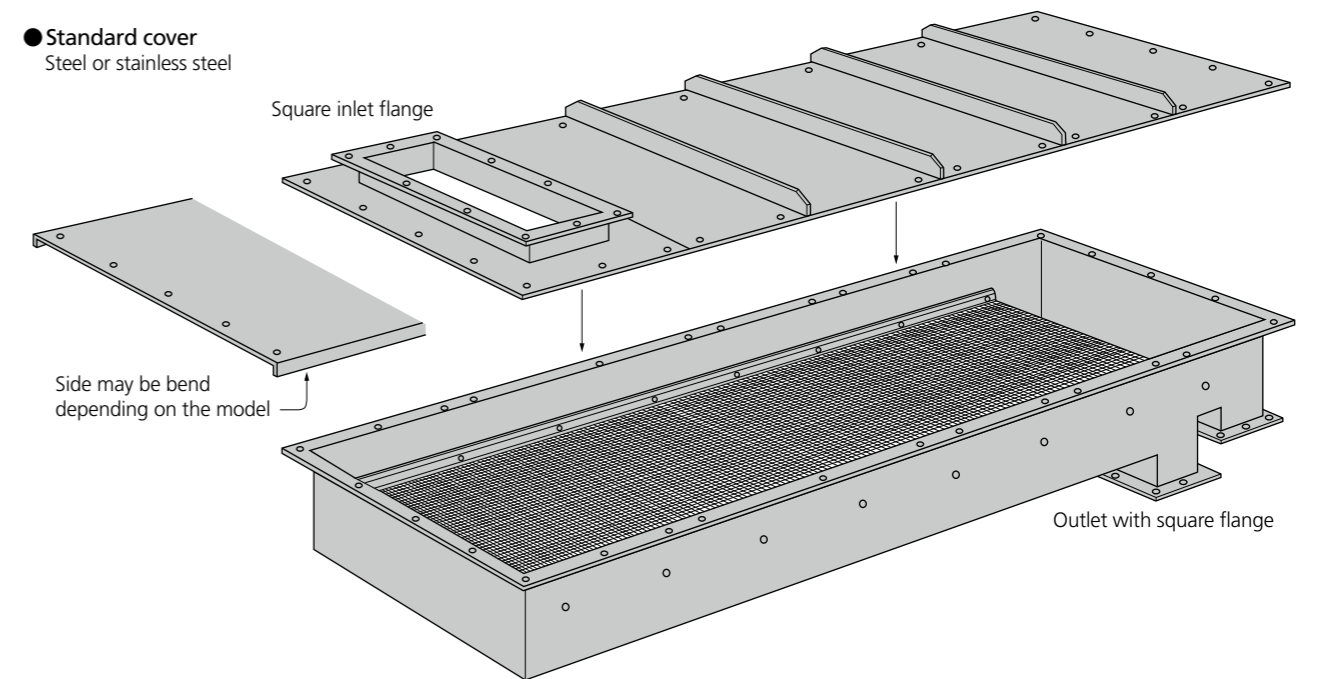
Inlet, Outlet and Cover Examples

Inlet

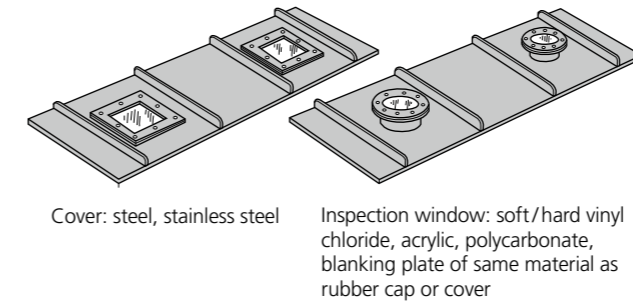


Cover

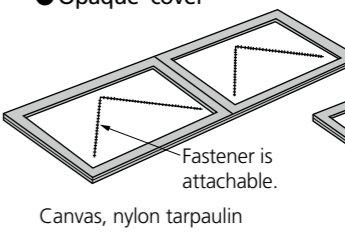
- Standard cover
Steel or stainless steel



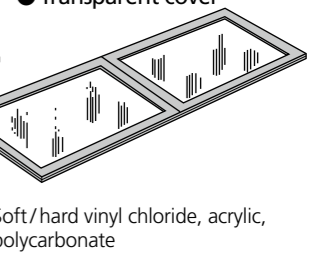
- Cover with inspection window



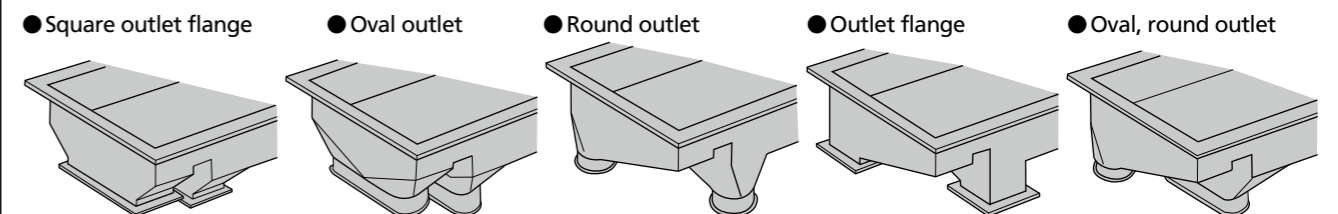
- Opaque cover



- Transparent cover



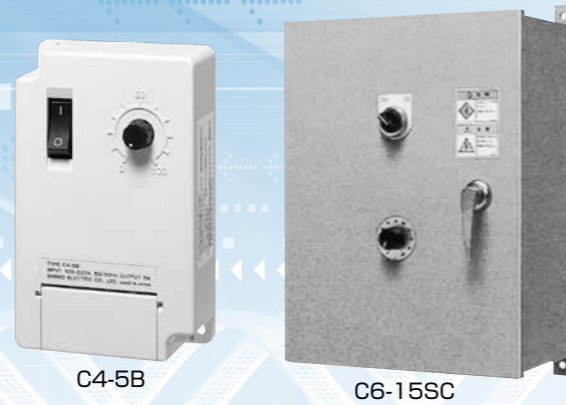
Outlet



Controllers

Controllers for SF Type Electromagnetic Screens

Wall-mount controller with built-in ON/OFF power switch, flow adjuster dial, rectifier, etc. Custom-made floor-mount version and multiple-control version for handling up to 10 screens are also available.

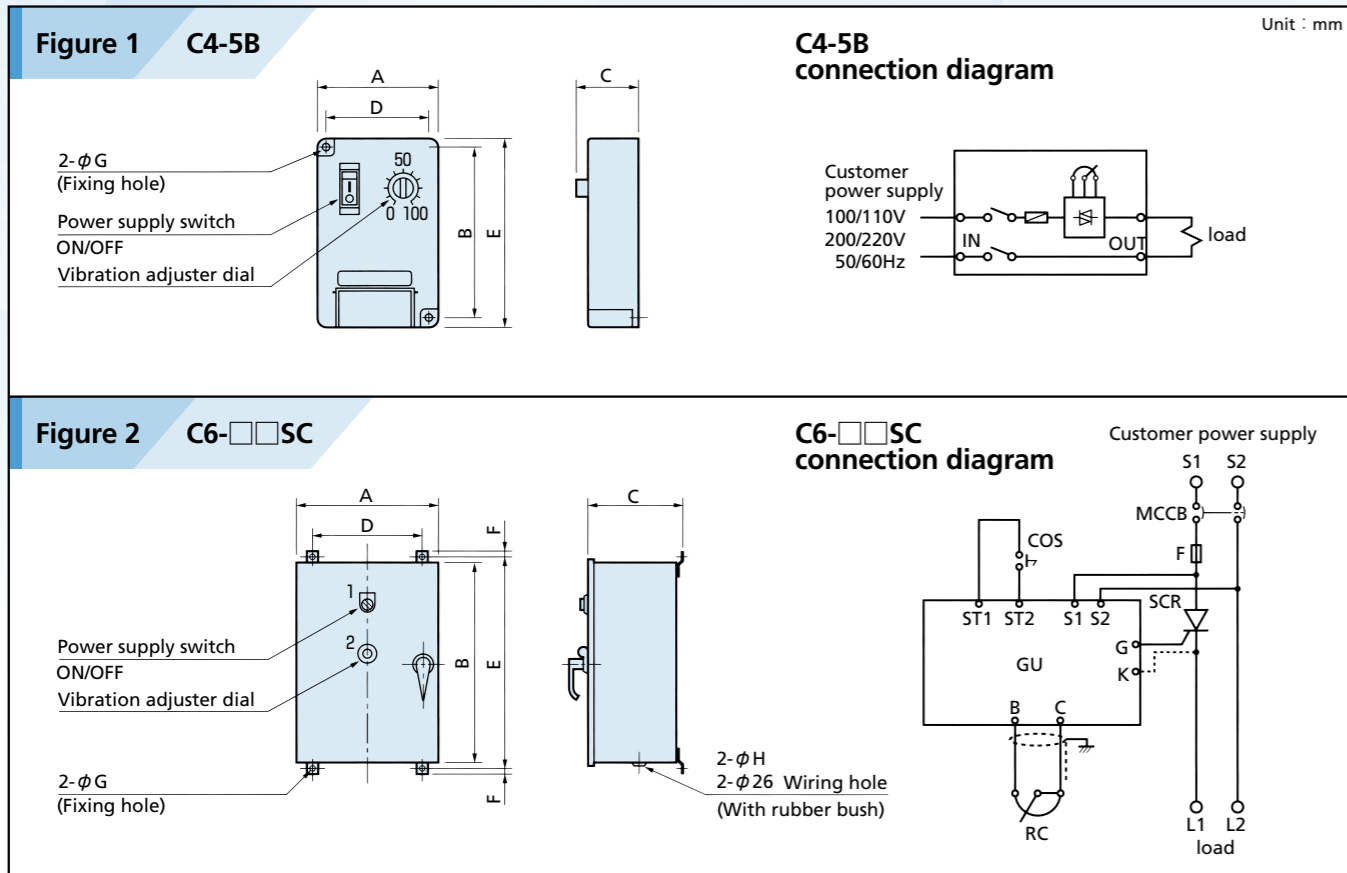


Controllers for RVS Type RV Screens

Easy ON/OFF push button controller with automatic reverse phase brake stops RV screen immediately, eliminating over swing and overflow of material. Adjustable timer provides perfect timing of the reverse phase brake.



Dimensions / Connection Diagram / Specifications

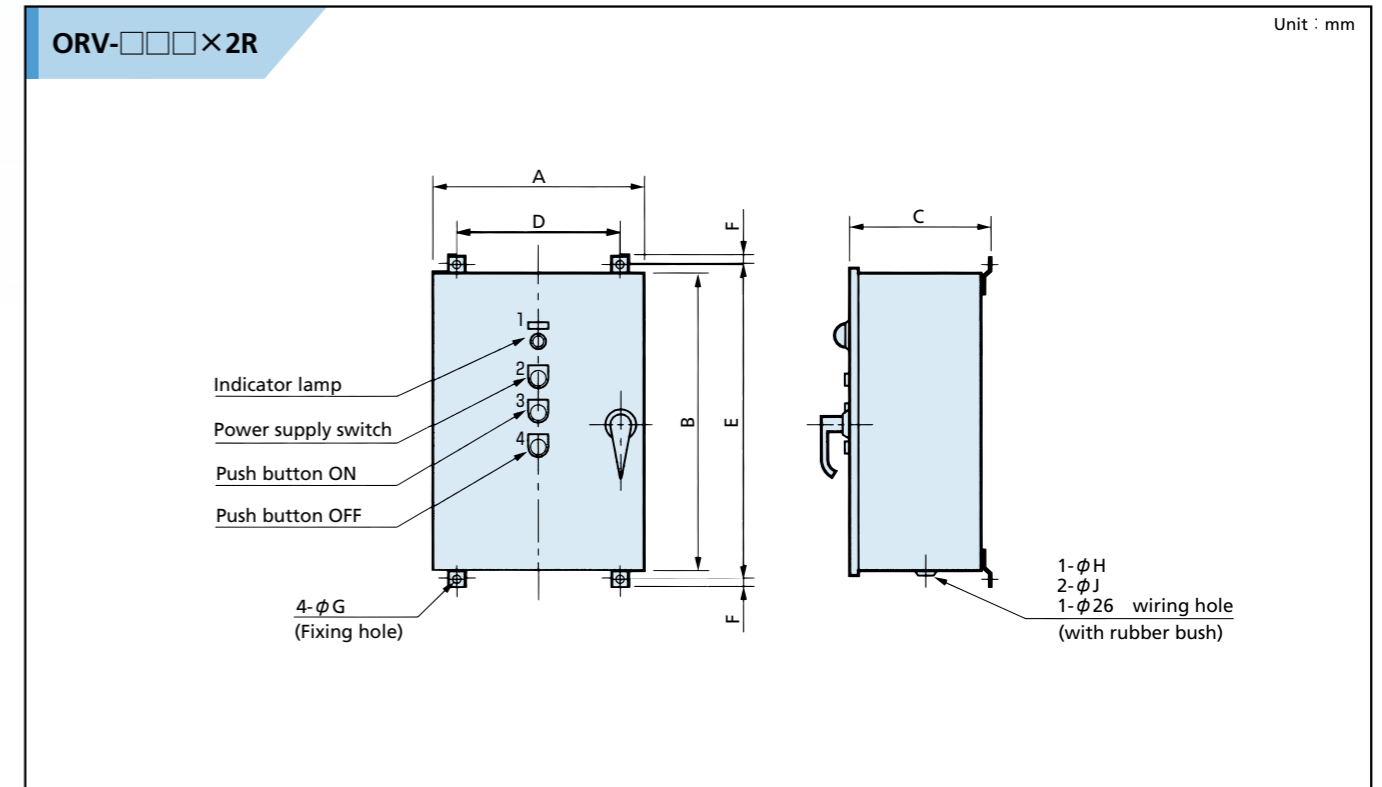


Dimensions Table

Models	Fig.	Current capacity (A)			Dimensions (mm)								Weight (kg)	Applicable load
		100/110V	200/220V	400/440V	A	B	C	D	E	F	G	H		
C4-5B	Fig.1	5	5	—	85	122	45	72	135	—	5	—	0.2	SF-152BDT, SF-212BDT, SF-22BDT
C6-15SC	Fig.2	—	15	7.5	300	400	200	250	420	15	9	26	15	SFH-33BDT以下
C6-30SC		—	30	15	300	400	200	250	420	15	9	26	15	SF-44BDT, SF-45BDT
C6-50SC		—	50	—	350	500	270	250	540	15	11	42	20	SFH-45BDT, SF-55BDT
C6-50SC		—	—	25	300	400	200	250	420	15	9	26	15	SFH-45BDT, SF-55BDT
C6-80SC		—	80	—	450	700	270	350	740	20	14	42	35	SF-66BDT, SF-88BDT
C6-80SC		—	—	40	350	500	270	250	540	15	11	42	20	SF-66BDT, SF-88BDT

Note: 1. All ratings are continuous. 2. Wall-mounted type.
 3. Dust-proof structure for C6 series models. 4. Paint color for both inside and outside is MUNSELL 5Y7/1.
 5. EHF Type Controller, with constant amplitude and external signal controls are also available.
 6. The C4-5B cover is made of resin.

Dimensions / Specifications



Dimensions Table

Models	Current capacity		Dimensions (mm)										Weight (kg)	Applicable load
	200/220V	400/440V	A	B	C	D	E	F	G	H	J			
ORV-24×2R	5A	3A	400	500	220	300	540	15	11	26	26	20	RV-24D	
ORV-44×2R	6A	4A	400	500	220	300	540	15	11	26	26	20	RV-44D	
ORV-74×2R	9A	5A	400	500	220	300	540	15	11	26	26	20	RV-74D	
ORV-158×2R	19A	10A	450	600	220	350	640	20	14	26	26	30	RV-158B	
ORV-228×2R	17A	9A	450	600	220	350	640	20	14	26	26	30	RV-228B	
ORV-378×2R	27A	—	500	800	270	400	840	20	14	42	26	60	RV-378B	
ORV-378×2R	—	14A	450	600	220	350	640	20	14	26	26	30	RV-378B	
ORV-558×2R	31A	—	500	800	270	400	840	20	14	42	26	60	RV-558B	
ORV-558×2R	—	16A	450	600	220	350	640	20	14	26	26	30	RV-558B	
ORV-24×2R	41A	21A	500	800	270	400	840	20	14	42	42	60	RV-758B	

Note: 1. All ratings are continuous. 2. Wall-mounted type.
 3. Paint color for both inside and outside is MUNSELL 5Y7/1.